



Universiteit
Leiden
The Netherlands

Probing molecular layers with low-energy electrons

Tebyani, A.

Citation

Tebyani, A. (2024, March 14). *Probing molecular layers with low-energy electrons*. Retrieved from <https://hdl.handle.net/1887/3721791>

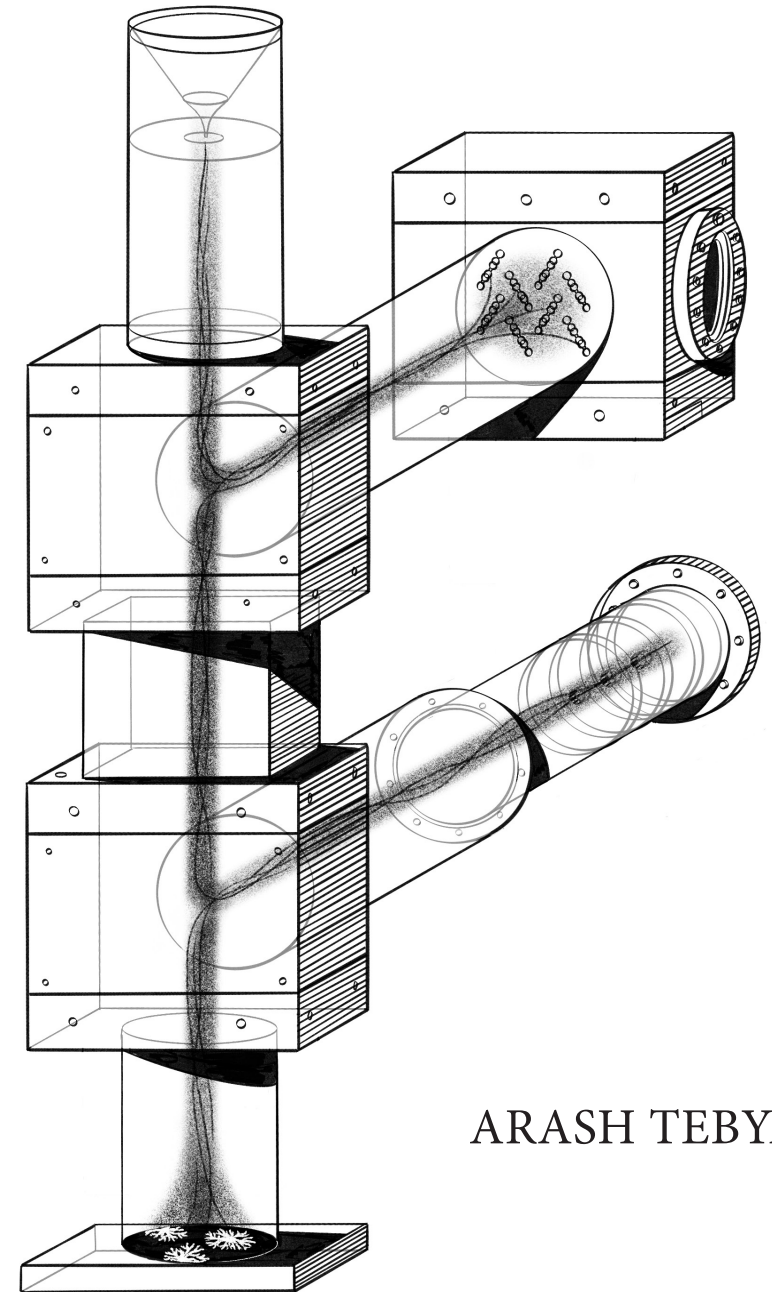
Version: Publisher's Version

License: [Licence agreement concerning inclusion of doctoral thesis in the Institutional Repository of the University of Leiden](#)

Downloaded from: <https://hdl.handle.net/1887/3721791>

Note: To cite this publication please use the final published version (if applicable).

PROBING MOLECULAR LAYERS WITH LOW-ENERGY ELECTRONS



ARASH TEBYANI

PROBING MOLECULAR LAYERS WITH LOW-ENERGY ELECTRONS

ARASH TEBYANI

ISBN: 978-94-6496-069-3