



Universiteit
Leiden
The Netherlands

Real-time scanning tunneling microscopy studies of thin film deposition and ion erosion

Fokkema, V.

Citation

Fokkema, V. (2011, November 10). *Real-time scanning tunneling microscopy studies of thin film deposition and ion erosion*. Retrieved from <https://hdl.handle.net/1887/18057>

Version: Not Applicable (or Unknown)

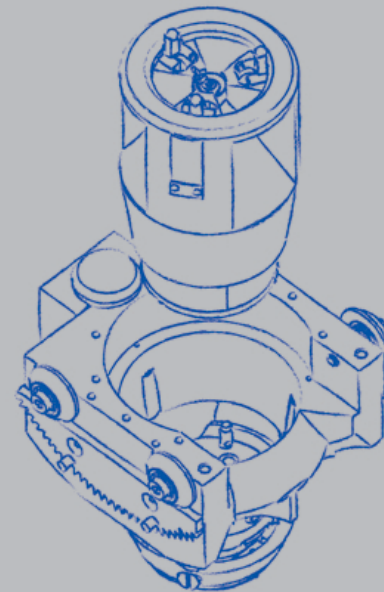
License: [Leiden University Non-exclusive license](#)

Downloaded from: <https://hdl.handle.net/1887/18057>

Note: To cite this publication please use the final published version (if applicable).

*Real-time
Scanning Tunneling
Microscopy Studies of
Thin Film Deposition
and Ion Erosion*

Vincent
Fokkema



Real-time STM Studies of Thin Film Deposition and Ion Erosion

Vincent Fokkema

