



Universiteit  
Leiden  
The Netherlands

## **Fragmenting the Chieftain : a practice-based study of Early Iron Age Hallstatt C elite burials in the Low Countries**

Vaart, S.A. van der

### **Citation**

Vaart, S. A. van der. (2017, December 14). *Fragmenting the Chieftain : a practice-based study of Early Iron Age Hallstatt C elite burials in the Low Countries. Papers on Archaeology of the Leiden Museum of Antiquities*. Sidestone Press, Leiden. Retrieved from <https://hdl.handle.net/1887/58610>

Version: Not Applicable (or Unknown)

License: [Licence agreement concerning inclusion of doctoral thesis in the Institutional Repository of the University of Leiden](#)

Downloaded from: <https://hdl.handle.net/1887/58610>

**Note:** To cite this publication please use the final published version (if applicable).

Cover Page



Universiteit Leiden



The handle <http://hdl.handle.net/1887/58610> holds various files of this Leiden University dissertation

**Author:** Vaart-Verschoof, Sasja van der

**Title:** Fragmenting the Chieftain : a practice-based study of Early Iron Age Hallstatt C elite burials in the Low Countries

Date: 2017-12-14

# App. A1 Abbreviations

The following sections give the abbreviations used in this research.

## A1.1 Burial form abbreviations

Abbreviation	Burial form
T.	Tombelle or Tumulus
t.	Tombe
M.	Mound
g.	Grave
UC	Unknown context (= stray finds)

## A1.2 Museum and depot abbreviations

Abbreviation	Museum or depot
AS	Archeologiehuis Someren
CC	Centre Ceramique, Maastricht
DM	Provinciaal Drents Museum, Assen
GDB	Gemeentelijk Depot voor Bodemvondsten, Zutphen
LM	Limburgs Museum, Venlo
NBM	Noordbrabants museum, 's Hertogenbosch
MdN	Musée de Namur, Namur
MhV	Museum het Valkhof, Nijmegen
MK	Museum Kam
MRAH	Royal Museums of Art and History, Brussels (= <i>Musées royaux d'Art et d'Histoire</i> )
RMO	National Museum of Antiquities, Leiden (= Rijksmuseum van Oudheden)

### A1.3 Site name abbreviations

Abbreviation	Site
Ba	Baarlo
BW	Basse-Wavre
CSE-FR	Court-Saint-Etienne La Ferme Rouge
CSE-LQ	Court-Saint-Etienne La Quenique
DP	Darp-Bisschopsberg
EB	Ede-Bennekom
FP	Flobecq-Pottelberg
GC	Gedinne-Chevaudos
HMC	Harchies-Maison Cauchies
H	Havré
HB	Heythuizen-Bisschop
HK	Hofstade-Kasteelstraat
HH	Horst-Hegelsom
PdD	La Plantée des Dames
LeM	Leesten-Meijerink
LM	Limal-Morimoine
LK	Lommel-Kattenbos
LSP-FAM	Louette-Saint-Pierre Fosse-Aux-Morts
MH	Maastricht-Heer
M	Meerlo
Me	Meppen
NR	Neerharen-Rekem
OV	Oss-Vorstengraf
OZ	Oss-Zevenbergen
RK	Rhenen-Koerheuveld
S	Stocquoy
SK	Someren-Kraayenstark
SP	Someren-Philipscamping
US	Uden-Slabroek
V	Venlo
W	Wijchen
WB	Weert-Boshoeverheide

### A1.4 Other abbreviations

Abbreviation	Meaning
BA	Bronze Age
D.	Diameter
Diam.	Diameter
EIA	Early Iron Age
H.	Height or <i>Hügel</i>
IA	Iron Age
L.	Length
MBA	Middle Bronze Age
Thr.	Thread
wght	Weight

# App. A2 Summary overview of objects in Catalogue, per find category

This appendix gives a summary overview of the objects from burials included in the Catalogue (note that stray finds are not listed). They are listed per the following categories: pottery, the bronze vessels, weaponry, horse-gear and wagons, tools, ornaments and toiletries. An overview figure of the objects is given per category. Note that for the figures I relied on available images, which is why they are not all in the same style. In some cases there are more examples of a specific type of object than depicted and bent objects are sometimes depicted in their original state. Please be aware that this can give a misleading impression (*cf.* Section 4.1.1; see also Catalogue for more detailed information and depictions).

## A2.1 Pottery

Object no.	Description	Signs of		
		Use/ repair	Bending/ breaking	Fire
BW.T5.2*	Ceramic pots, multiple	Indet	Indet	Indet
CSE-FR.T1.2	Urn, contained cremation CSE-FR.T1.1*	--/--	--/--	--
CSE-FR.T1.3	Accessory vessel	--/--	--/--	--
CSE-FR.T1.4*	Accessory vessel	--/--	--/--	--
CSE-FR.T1.5	Bowl, contained iron fragments CSE-FR.T1.8	--/--	--/--	--
CSE-FR.T2.2*	Urn	Indet	Indet	--
CSE-FR.T3.04*	Accessory vessel	Indet	Indet	Indet
CSE-FR.T3.05	Urn, contained cremation CSE-FR.T3.01	--/--	--/--	--/--
CSE-FR.T3.06	Urn, contained cremation CSE-FR.T3.02	--/--	--/--	--/--
CSE-FR.T3.07	Urn, contained cremation CSE-FR.T3.03*	--/--	--/--	--/--
CSE-FR.T4.2*	Urn, contained cremation CSE-FR.T4.1*	--/--	--/--	--/--
CSE-FR.T4.3*	Accessory vessel	--/--	--/--	--/--
CSE-FR.T5.2	Pot, contained cremation CSE-FR.T5.1	Indet	Indet	--
CSE-FR.T5.3*	Accessory vessel	Indet	Indet	--
CSE-FR.T5.4*	Bowl	Indet	Indet	--
CSE-LQ.TA.2	Pot with protuberances	--/--	--/--	--
CSE-LQ.TA.3	Small accessory vessel	--/--	--/--	--
CSE-LQ.TA.4	Small cup	--/--	--/--	--
CSE-LQ.TK.2*	Large urn, could not be identified	Indet	Indet	Indet
CSE-LQ.TZ.2*	Pottery	Indet	Indet	Indet
DB.2*	Pottery urn, contained cremation DB.1	--/--	--/--	--
DB.3*	Pottery bowl	--/--	--/--	--
GC.T1.02*	Urn, contained cremation GC.T1.01*	Indet/indet	Indet	Indet

Tab. A2.1 Pottery found in the Dutch and Belgian elite burials (stray finds from the Catalogue are not included; see also Fig. A2.1).

Object no.	Description	Signs of		
		Use/ repair	Bending/ breaking	Fire
GC.T1.03*	Pot, lay scattered and incomplete	Indet/indet	Indet/+-	Indet
GC.T1.04*	Pot, lay scattered and incomplete	Indet/indet	Indet/+-	Indet
GC.T14.02*	Pot fragments	Indet	Indet	Indet
GC.T16.02*	Large pot, contained cremation GC.T16.01*	Indet	Indet	Indet
GC.T16.03*	Pot with cylindrical neck	Indet	Indet	Indet
GC.T16.04*	Accessory vessel?	Indet	Indet	Indet
GC.TA.02*	Urn	Indet	Indet	Indet
GC.TP/Q.01*	Urn	Indet	Indet	Indet
HMC.t1.2*	Pot, likely contained cremation HMC.t1.1*	Indet	Indet	Indet
HMC.t2.2	Urn, contained human cremation HMC.t2.1	--/--	--/--	--
HMC.t4.2	Urn, half	--/--	--/+	--
H.TE.2*	Pot	Indet	Indet	Indet
H.T2.2*	Pot	Indet	Indet	Indet
H.T4.2*	Pot	Indet	Indet	Indet
H.T9.2*	Urn	Indet	Indet	Indet
H.T10.2*	Urn	Indet	Indet	Indet
H.T10.3*	Accessory vessel			
H.T16.2*	Urn			
H.T16.3*	Small cup			
HB.2	Pottery urn, fragments	--/--	--/+	--
HK.2*	Urn	--/--	-/-	++
HH.2	Pottery urn	--/--	-/-	--
HH.3	Pottery bowl	--/--	-/-	--
LeM.g1.02	Pottery urn, contained LeM.g1.02	--/--	--/--	--
LeM.g1.03	Pottery accessory bowl, found next to LeM.g1.02	--/--	--/--	--
LeM.g1.04	Pottery accessory bowl, found in LeM.g1.02	--/--	--/--	--
LM.T1.2	Pot, contained cremation LM.T1.	--/--	--/--	--
LK.T20.2*	Urn ( <i>Schrägals</i> )	--/--	--/--	--/--
LSP-FAM.TI.02*	Pot, broken and possibly burned	--/--	--/+	+
LSP-FAM.TI.03*	Fragments of a large pot.	Indet	Indet	Indet
LSP-FAM.TIII.2*	Urn, contained cremation LSP-FAM.TIII.1* and LSP-FAM.TIII.4*	Indet	Indet	Indet
LSP-FAM.TIII.3*	Accessory vessel	Indet	Indet	Indet
M.02*	Pot ( <i>Schrägals</i> )	--/--	--/--	--
M.03*	Bowl	--/--	--/--	--
OZ.M7.03	<i>Schrägals</i> -urn, contained OZ.M7.01	--/--	--/--	--
SK.2*	Pot	--/--	--/-	-
SK.5*	Bowl	--/--	--/-	-
WB.t1.2*	Urn	Indet	Indet	Indet
WB.t2.2*	Urn	Indet	Indet	Indet
WB.t3.2*	Urn	Indet	Indet	Indet
WB.t4.2*	Urn	Indet	Indet	Indet
WB.TO.04*	Large urn, contained cremation WB.TO.01*	--/--	--/--	--
WB.TO.05*	Large urn, contained cremation WB.TO.02*	--/--	--/--	--
WB.TO.06*	Large urn, contained cremation WB.TO.03*	--/--	--/--	--
WB.TO.08*	Large urn	--/--	--/--	--
WB.TO.11*	Large urn	--/--	--/--	--
WB.TO.14*	Large urn	--/--	--/--	--
WIJ.02	Fragment	--/--	--/-	--
WIJ.30*	Urn	Indet	Indet	Indet

Tab. A2.1 (continued) Pottery found in the Dutch and Belgian elite burials (stray finds from the Catalogue are not included; see also Fig. A2.1).

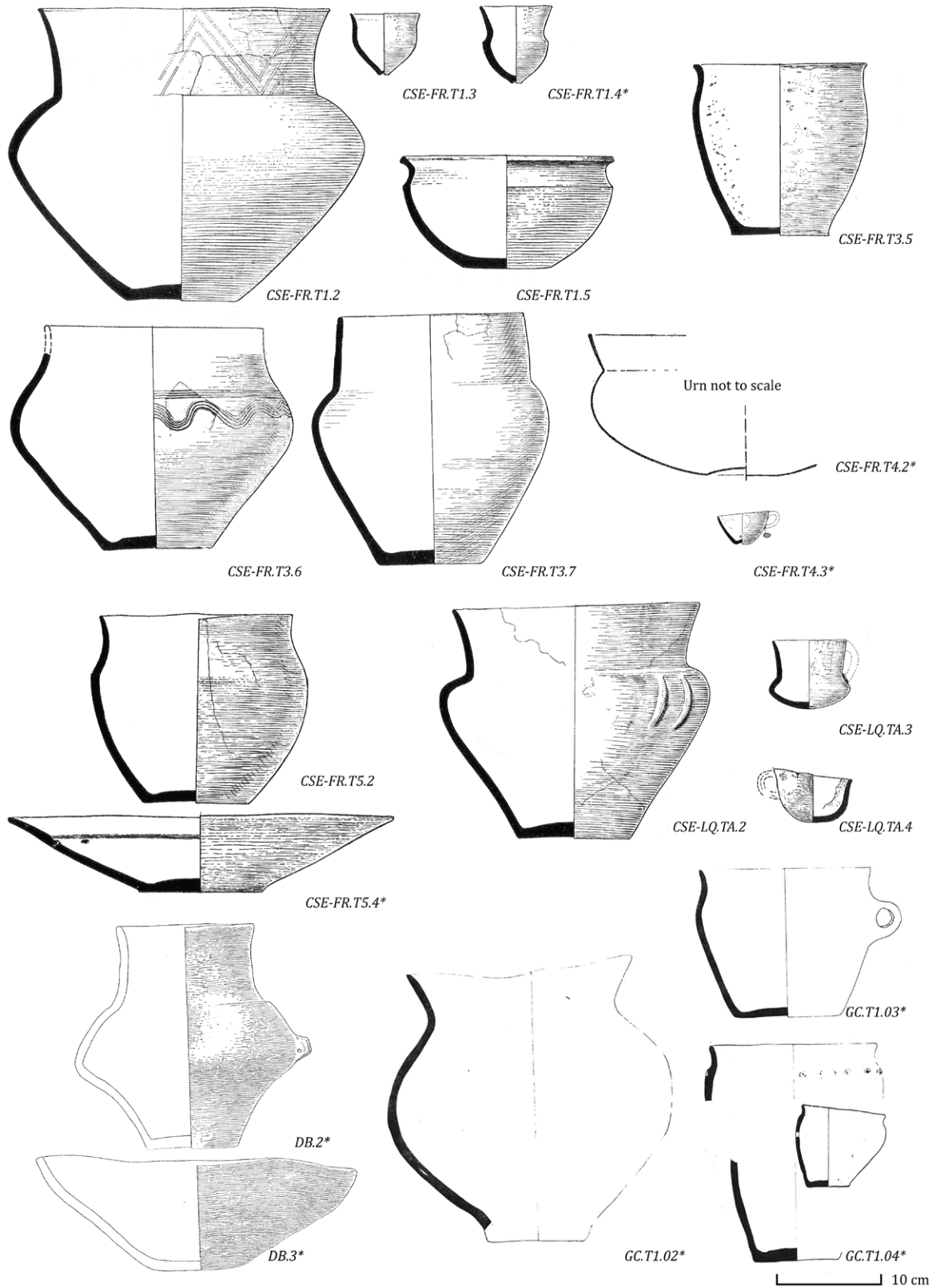


Fig. A2.1 Pottery found in the Dutch and Belgian elite burials (stray finds from the Catalogue are not included; note that for some finds no drawings exist). Drawings after Fontijn et al. 2013c, fig. 6.1; Kam 1956, fig. 1; Mariën 1958, figs. 3, 4, 15, 17, 19, 20, 24, 34 and 40; 1999, figs. 5–7; Verwers 1986, fig. 2; Warmenbol 1978, pl. I, II, VII and XIV; by J.P. Boogerd; supplied by G. de Mulder.

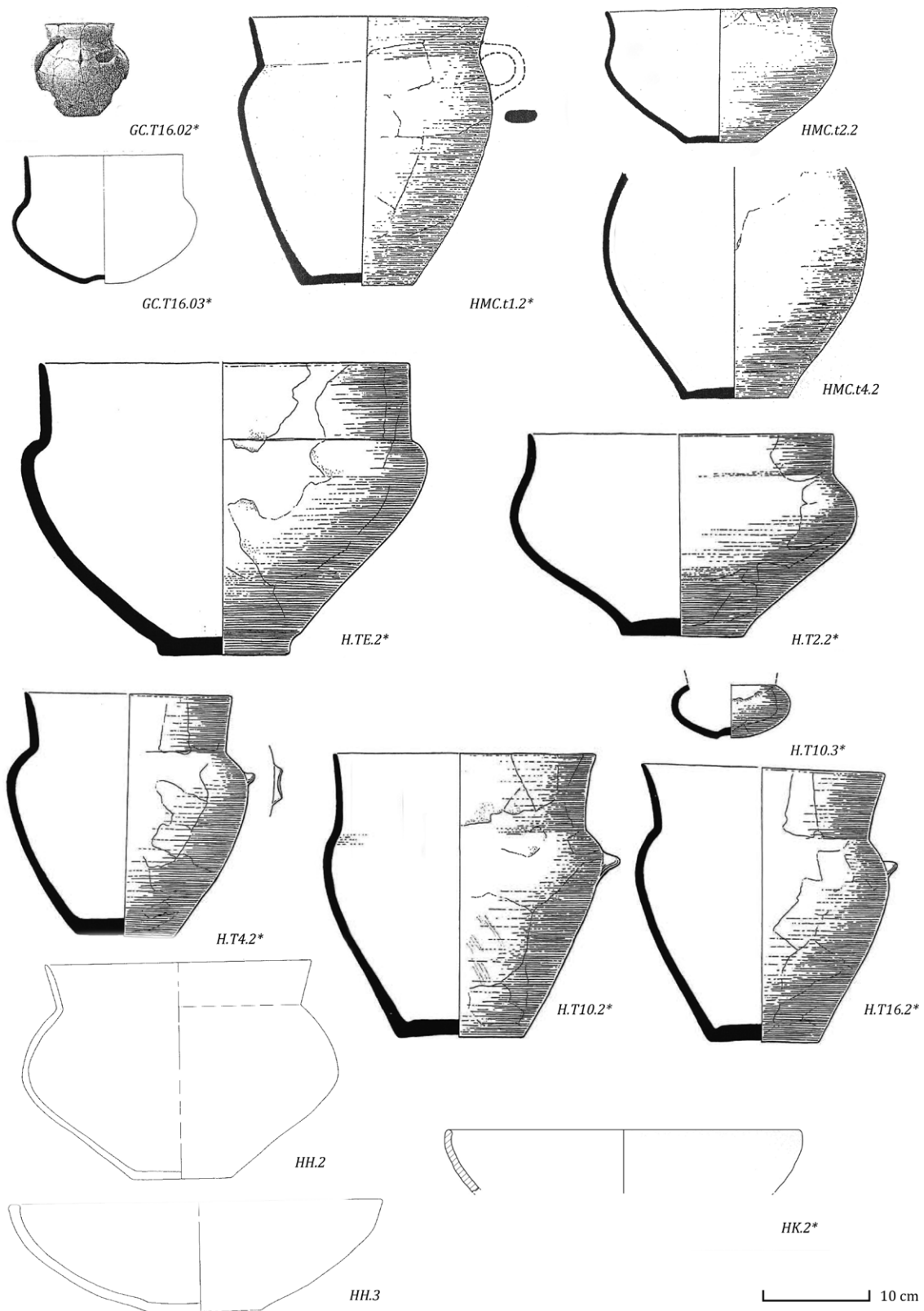


Fig. A2.1 (continued) Pottery found in the Dutch and Belgian elite burials (stray finds from the Catalogue are not included; note that for some finds no drawings exist). Drawings after Fontijn et al. 2013c, fig. 6.1; Kam 1956, fig. 1; Mariën 1958, figs. 3, 4, 15, 17, 19, 20, 24, 34 and 40; 1999, figs. 5–7; Verwers 1986, fig. 2; Warmenbol 1978, pl. I, II, VII and XIV; by J.P. Boogerd; supplied by G. de Mulder.

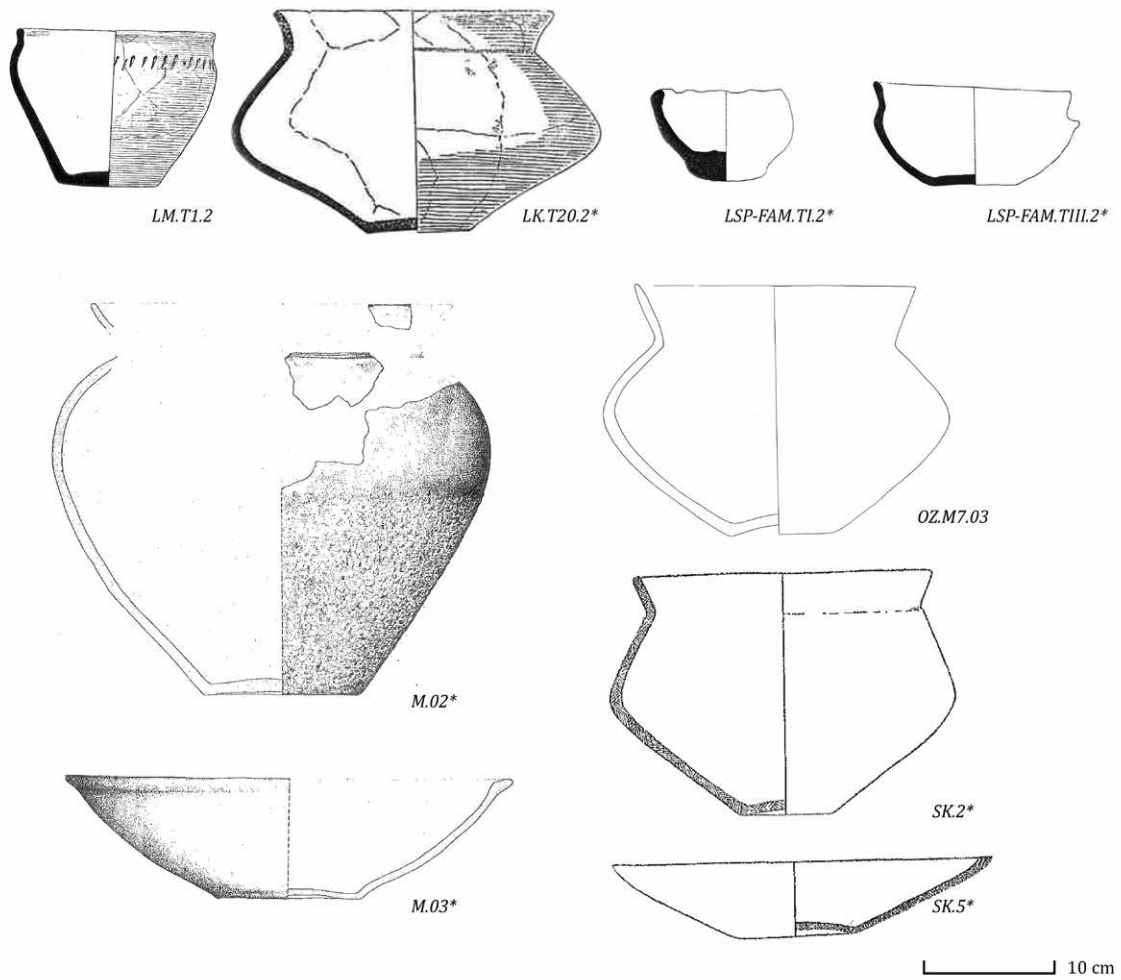


Fig. A2.1 (continued) Pottery found in the Dutch and Belgian elite burials (stray finds from the Catalogue are not included; note that for some finds no drawings exist). Drawings after Fontijn et al. 2013c, fig. 6.1; Kam 1956, fig. 1; Mariën 1958, figs. 3, 4, 15, 17, 19, 20, 24, 34 and 40; 1999, figs. 5–7; Verwers 1986, fig. 2; Warmenbol 1978, pl. I, II, VII and XIV; by J.P. Boogerd; supplied by G. de Mulder.

## A2.2 Bronze vessels

Object no.	Description	Signs of			Used as urn?	Manner of survival	Type	Area of origin
		Use/ repair	Bending/ breaking	Fire				
<i>Ba.1</i>	Bronze bucket	--/	--/	--	Unknown	Intact, now mostly complete (base is missing)	Type 'Kurd' (Gerloff 2010, 237; Von Merhart 1969)	East(?) -Alpine region (Roymans 1991, 43)
<i>CSE-FR.T3.17*</i>	Bronze traces, believed to be <i>CSE-FR.T3.18-21</i> .	Indet	Indet	Indet	Probably not used as urn	Fragments	Ind	Ind
<i>CSE-FR.T3.18</i>	Bronze sheet fragment, rectangular with rivets, interpreted as situla fragments with repair plates	--/	+/-+	++				
<i>CSE-FR.T3.19</i>	Bronze sheet fragment, edge with two rivets with large flat heads, interpreted as situla fragments	--/	+/-+	++				
<i>CSE-FR.T3.20</i>	Rivet fragment, interpreted as a situla fragment	--/	+/-+	++				
<i>CSE-FR.T3.21</i>	Bronze sheet fragment, 2x	--/	+/-+	++				
<i>CSE-FR.T4.4</i>	Bronze cup, fragments, 8x	--/	+/-+	++	Probably not used as urn	Fragments	Bowl or cup	Ind
<i>CSE-FR.T5.5</i>	Bronze sheet, is probably (from) the same object as <i>CSE-FR.T5.6</i> .	--/	+/-+	++	Probably not used as urn	Fragments	Ind	Ind
<i>CSE-FR.T5.6</i>	Series of bronze sheet fragments, interpreted as situla fragments	--/	+/-+	++				
<i>EB.2</i>	Bronze situla	+ /+	--/	--	Used as urn	Complete and intact	Situla mit <i>Schulterrippen</i> and <i>Omegaförmigen Attaschen</i> (Prüssing 1991, 60–71, taf. 25)	East(?) -Alpine region (Roymans 1991, 43)
<i>GC.TA.03*</i>	Bronze sheet, possibly a situla/cup	Indet	Indet	Indet	Probably used as urn	Fragments	Ind	Ind
<i>Me.1</i>	Bronze bucket	--/	--/	--		Complete and intact, now incomplete	Separate type (Boulimié 1977; Kimmig 1964)	Central Italy or France
<i>OV.02</i>	Bronze bucket	+/-	--/	--	Used as urn	Complete	Type 'Kurd' (Von Merhart 1969)	East(?) -Alpine region (Roymans 1991, 43)
<i>OV.03</i>	Bronze plate fragments from <i>OV.02</i>	Indet	Indet	Indet				
<i>OV.04</i>	Bronze plate fragments from <i>OV.02</i>	Indet	Indet	Indet				
<i>OV.05</i>	Bronze plate fragments from <i>OV.02</i>	Indet	Indet	Indet				
<i>RK.02</i>	Bronze bucket	++/++	--/	--	Used as urn	Complete	Type 'Kurd' (Gerloff 2010, 237; Von Merhart 1969)	
<i>V.1</i>	Bronze vessel with cross-attachments	++/-	--/	--	Unknown	Complete and intact(?)	Von Merhart's (1969, 286) group C	South-Alpine region (Roymans 1991, 43)

Object no.	Description	Signs of			Used as urn?	Manner of survival	Type	Area of origin
		Use/ repair	Bending/ breaking	Fire				
WIJ.03	Bucket handle and handle attachments	++/--	--/+	+-	Not used as urn	Fragments, incomplete	<i>Rippenziste</i> type E5 handle; type AH3 handle attachments: (Stjernquist 1967, 31)	Italy (Roymans 1991, 43)
WIJ.04	Fragments of decorated bronze plate from the ribbed bucket.	++/--	--/+	+				
WIJ.05	Fragment of decorated bronze plate/ sheet from the ribbed bucket	++/--	--/+	+				

Tab. A2.2 Bronze vessels (and fragments thereof) found in the Dutch and Belgian elite burials (see also Fig. A2.2).

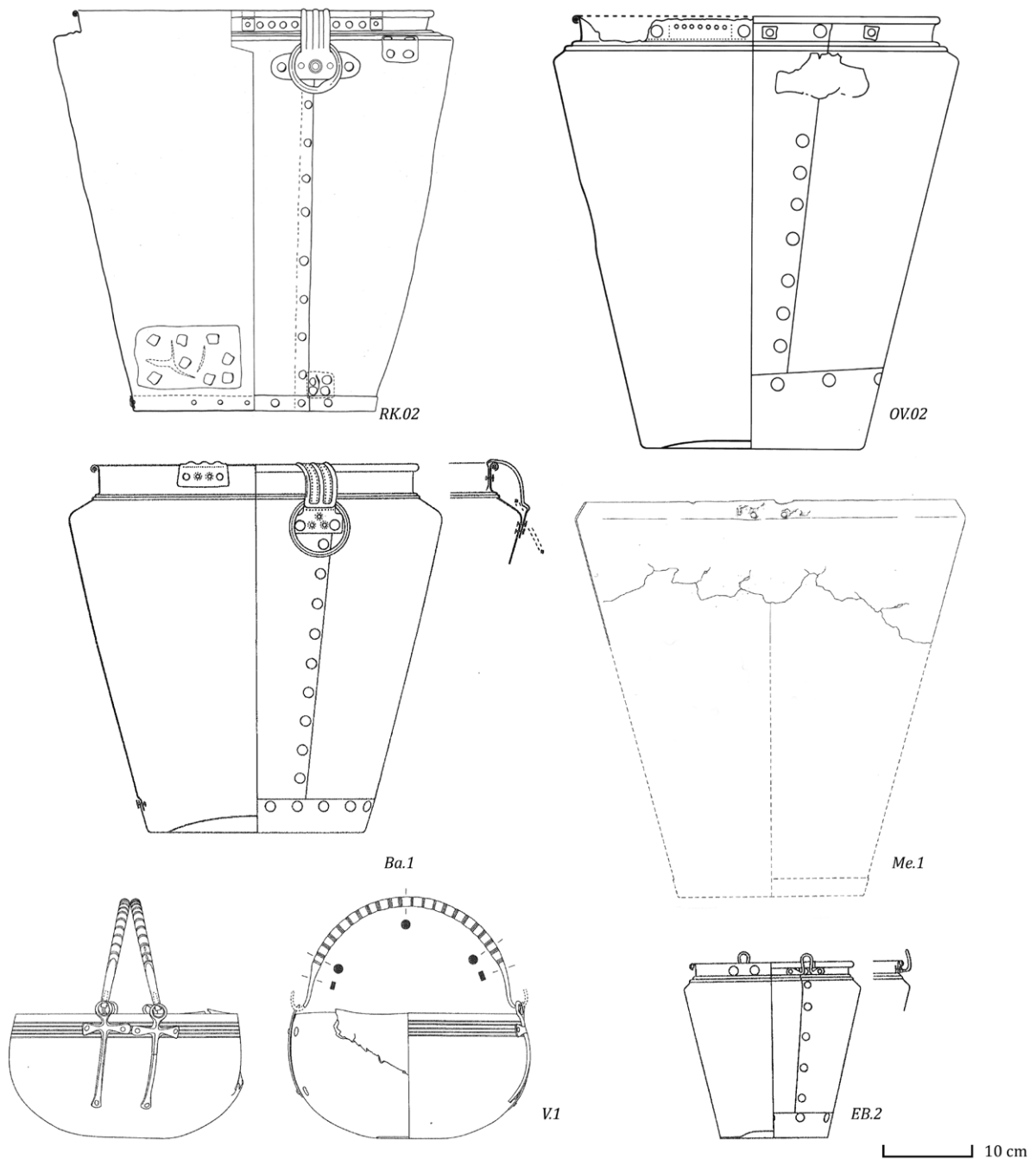


Fig. A2.2 Bronze vessels and fragments thereof from the Low Countries. Figure after Jansen/Fokkens 2007, fig. 6.2; Mariën 1958, figs. 20 and 25; Roymans 1991, figs. 14 and 15; Warmenbol 1978, pl. XVI.

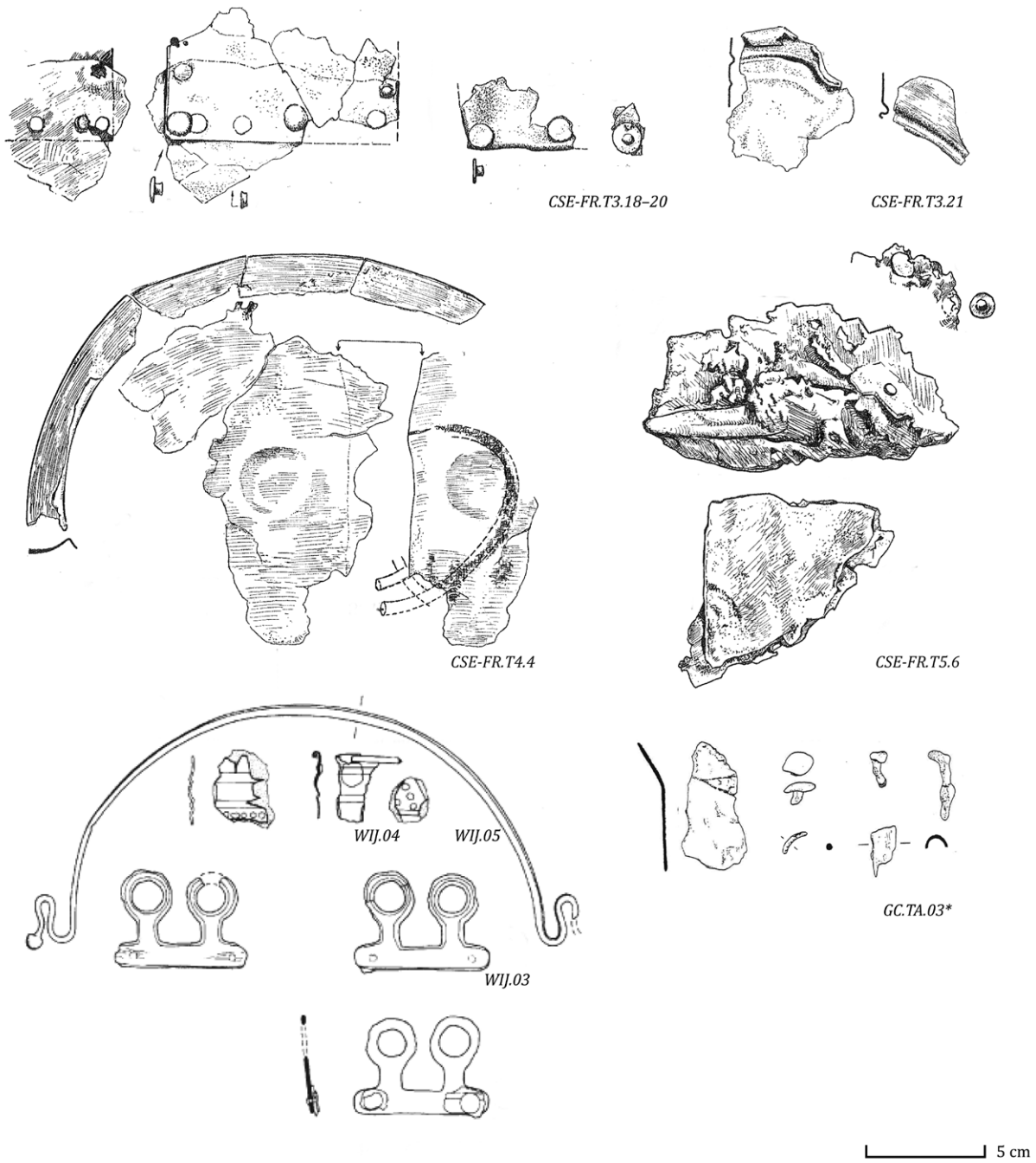


Fig. A2.2 (continued) Bronze vessels and fragments thereof from the Low Countries. Figure after Jansen/Fokkens 2007, fig. 6.2; Mariën 1958, figs. 20 and 25; Roymans 1991, figs. 14 and 15; Warmenbol 1978, pl. XVI.

## A2.3 Weaponry

Object category	Object no.	Description	Signs of			Type	
			Use/ repair	Bending/ breaking	Fire		
Bronze sword (fragments)	BW.T5.3	Bronze sword, fragment	--/--	++/++	+	Type Gündlingen Etappe 4/Weichering	
	CSE-LQ.TK.3	Bronze sword, fragments	--/--	++/++	++	Type Gündlingen Etappe 4/ Weichering(?)	
	FPT78.2*	Bronze sword	Indet/ indet	Indet/++	Indet	Ind	
	GC.T1.05*	Bronze swords, 3 fragments	--/--	++/++	++	Type Gündlingen Etappe 4/ Weichering(?)	
	HMC.t1.3	Bronze sword, 2 fragments	-/--	-/+	+	Type Gündlingen Etappe 2/Villement	
	HMC.t2.3	Bronze sword, broken into 5 pieces	+/-	++/++	+	Type Gündlingen Etappe 1/Holme Pierrepoint	
	HMC.t3.2*	Bronze sword, 8 fragments	--/--	++/++	++	Type Gündlingen Etappe 3/Villement	
	HMC.t4.3	Bronze sword, 3 fragments	--/--	-/+	++	Type Gündlingen Etappe 3/Villement	
	HK.3*	Bronze sword, broken	Indet	++/++	+	Type Gündlingen Etappe 1/ Holme-Pierrepoint	
	MH.01	Bronze sword, broken in three pieces	--/--	++/+	+	Type Gündlingen Etappe 2/Villement	
	NR.t72.02.a-d*	Bronze sword fragments	--/--	++/++	++	Type Gündlingen Etappe 2/Villement	
	NR.t72.03.a-b* (and NR.t72.05*, NR.t72.07-9*?)	Bronze sword fragments	--/--	++/++	++	Type Gündlingen Etappe 1/Holme Pierrepoint	
	NR.t72.04* (and NR.t72.06*?)	Bronze sword fragments	--/--	++/++	++	Type Gündlingen Etappe 1/Holme Pierrepoint	
	OZ.M3.2	Bronze sword fragment, plastic decoration	--/--	-/+	+	Ind	
	WB.TO.09*	Bronze sword, fragments	--/--	++/++	+	Type Gündlingen	
	WB.TO.12*	Bronze sword, fragments, found in WB.TO.11*	--/--	-/+	++	Ind	
	WB.TO.15*	Bronze sword, fragments, found in WB.TO.14*	--/--	+/-	++	Ind	
	Iron sword (fragments)	BW.UC.4*	Iron sword, possibly multiple ones	Indet	+/+	+	Ind
		CSE-FR.T1.6*	Iron sword, curled up	+/-	+/-	+	Type Mindelheim Etappe 2, ohne Serienzugehörigkeit
CSE-FR.T3.08		Iron and bronze antenna sword	+/-	-/-	--		
CSE-LQ.TA.5		Iron sword, in 2 or 3 fragments	--/--	++/+	++	Type Mindelheim?	
CSE-LQ.TA?.1		Iron sword, large, fragment	--/--	-/-	--		
CSE-LQ.TA?.2*		Iron sword, large	Indet	Indet	Indet		
CSE-LQ.TL.1		Iron sword	+/-	-/-	--	Type Mindelheim	
CSE-LQ.TM.1*		Iron sword	--/--	-/+	--	Type Mindelheim	
GC.T2.01*		Iron sword	--/--	+/-	+	Type Mindelheim	
GC.T13.01*		Iron sword, stuck into the ground	--/--	-/+	--	Type Mindelheim	
GC.T14.03*		Iron sword, folded	--/--	+/-	+	Type Mindelheim	
H.TE.3		Iron sword	+/-	-/-	--	Type Mindelheim	
HB.3		Iron sword, fragments (bent)	--/--	++/+	+		
HH.4		Iron sword, curled up	--/--	++/+	+	Type Mindelheim	
LM.T1.3*		Iron sword	--/--	-/-	--	Type Mindelheim	

Object category	Object no.	Description	Signs of			Type
			Use/ repair	Bending/ breaking	Fire	Trachsel 2004/Milcent 2004; 2012
	<i>M.04</i>	Iron sword	--/--	++/	+	Type Mindelheim
	<i>OV.06</i>	Iron Mindelheim sword	--/--	++/--	+	
	<i>SK.3*</i>	Iron sword	--/--	++/--	+	Type Mindelheim
	<i>SP.3*</i>	Iron	Indet	++/indet	+	Type Mindelheim?
	<i>S.T5.2*</i>	Iron sword, folded	--/--	++/--	+	
	<i>WJ.06</i>	Iron sword (and fragments of sword)	--/--	++/-	+	
<b>Chape (fragments)</b>	<i>CSE-FR.T3.10</i>	Bronze chape	--/--	+/+	++	Type Dottingen/Bubesheim?/E3/F1-2?
	<i>GCT.1.06*</i>	Bronze chape, partially melted	--/--	+/-+	++	Type Büchenbach/Frankfurter Stadtwald/E2
	<i>HMC.t3.3*</i>	Bronze chape	--/--	--/++	Indet	Type Prüllsbirkig/C1
	<i>HMC.t3.4*</i>	Bronze chape chape	--/--	--/++	Indet	Type Prüllsbirkig/C1
	<i>HK.4*</i>	Bronze chape	Indet	+/-++	+	Type Viehofen/A2
	<i>MH.02</i>	Bronze chape	--/--	--/--	--	Type Coplow Farm/B2
	<i>NR.t72.10*</i>	Bronze chape	--/--	+/-	-	Type Prüllsbirkig/C1
	<i>NR.t72.11*</i>	Bronze chape	--/--	--/+	-	Type Coplow Farm/B2
	<i>WB.t4.3*</i>	Bronze chape	--/--	--/--	Indet	Type Beutelortband/Han-sur-Lesse
<b>Other</b>		Iron lancehead	--/--	--/--	--	
	<i>DB.4a*</i>	Iron spearhead	--/--	+/-+	--	
	<i>DB.4b*</i>	Iron spearhead	--/--	--/+	--	
	<i>DB.4c*</i>	Iron spearhead	--/--	--/+	--	
	<i>GCT.16.05*</i>	Bronze lancehead	--/--	--/--	--	
	<i>Hp.g190.2</i>	Iron dagger with decorated bronze sheath	-	-	-	
	<i>Hp.g190.3-5</i>	Iron arrow head, 3x	-	--/+	-	
	<i>HMC.t2.4</i>	Wood fragments, sheath?	--/--	--/-	--	
	<i>NR.t72.12*</i>	Bronze lancehead, fragment				
	<i>NR.t72.13*</i>	Bronze lancehead				
	<i>NR.t72.14*</i>	Bronze lancehead				

Tab. A2.3 Weaponry found in the Dutch and Belgian elite burials burials (see also Fig. A2.3).

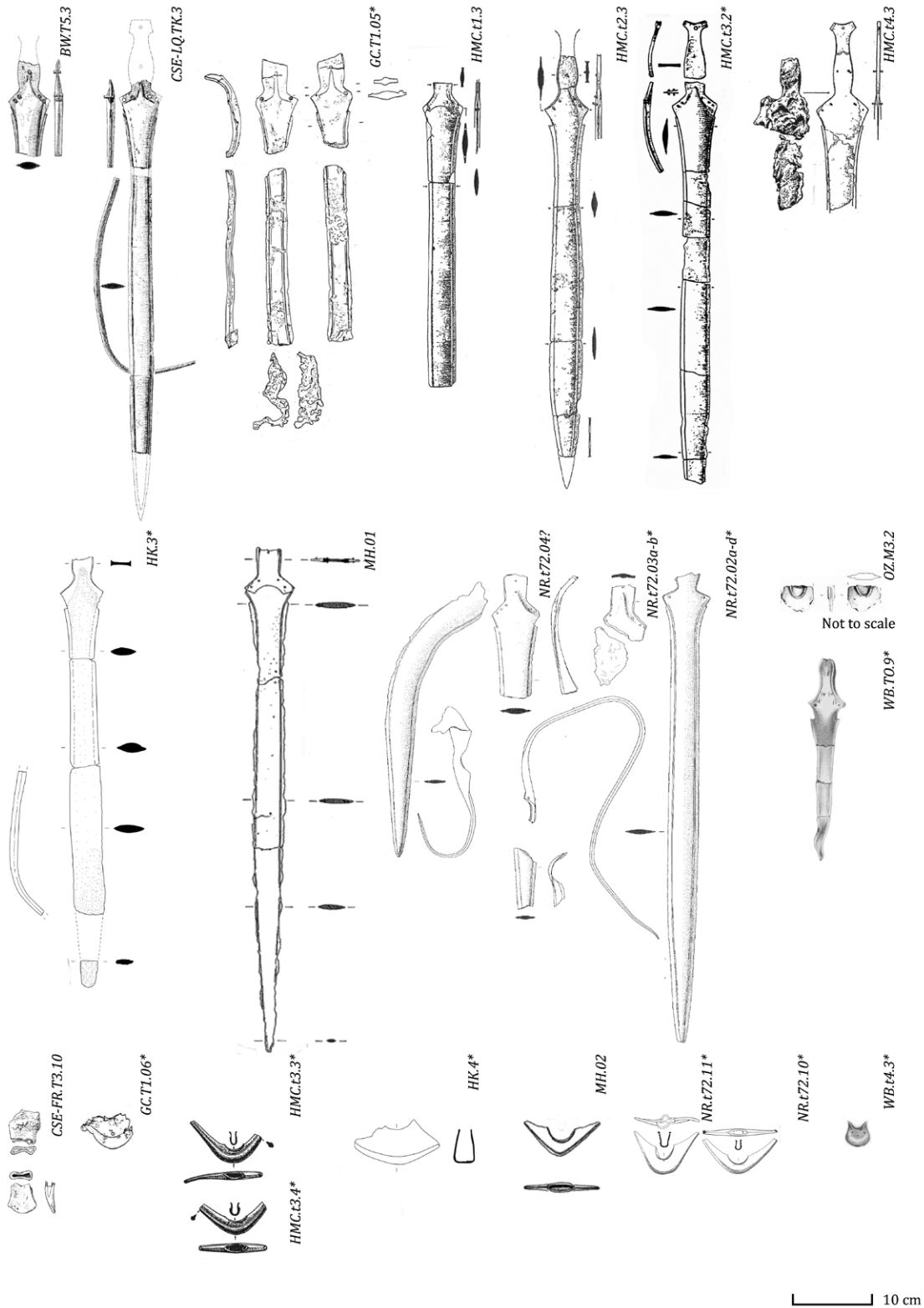


Fig. A2.3 Weaponry found in the Dutch and Belgian elite burials. Drawings after Dijkman 2000, fig. 3; Kam 1958, fig. 1; Mariën 1958, figs. 3, 6, 10, 11, 15, 1819, 25, 28 and 40; 1975, figs. 3–5; Ubaghs 1890, figs. 31 and 35; Van Impe 1980, pl. XI and XII; Van Wijk et al. 2009, fig. 6.16; Verwers 1972, abb. 31 and 32; 1986, fig. 3; Warmenbol 1978, pl. XII, XIII and XIV; Willems/Groenman-van Waateringen 1988, fig. 2; supplied by G. de Mulder; by B. Dekker; R. Timmermans.



Fig. A2.3 (continued) Weaponry found in the Dutch and Belgian elite burials. Drawings after Dijkman 2000, fig. 3; Kam 1958, fig. 1; Mariën 1958, figs. 3, 6, 10, 11, 15, 1819, 25, 28 and 40; 1975, figs. 3–5; Ubaghs 1890, figs. 31 and 35; Van Impe 1980, pl. XI and XII; Van Wijk et al. 2009, fig. 6.16; Verwers 1972, abb. 31 and 32; 1986, fig. 3; Warmenbol 1978, pl. XII, XIII and XIV; Willems/Groenman-van Waateringen 1988, fig. 2; supplied by G. de Mulder; by B. Dekker; R. Timmermans.

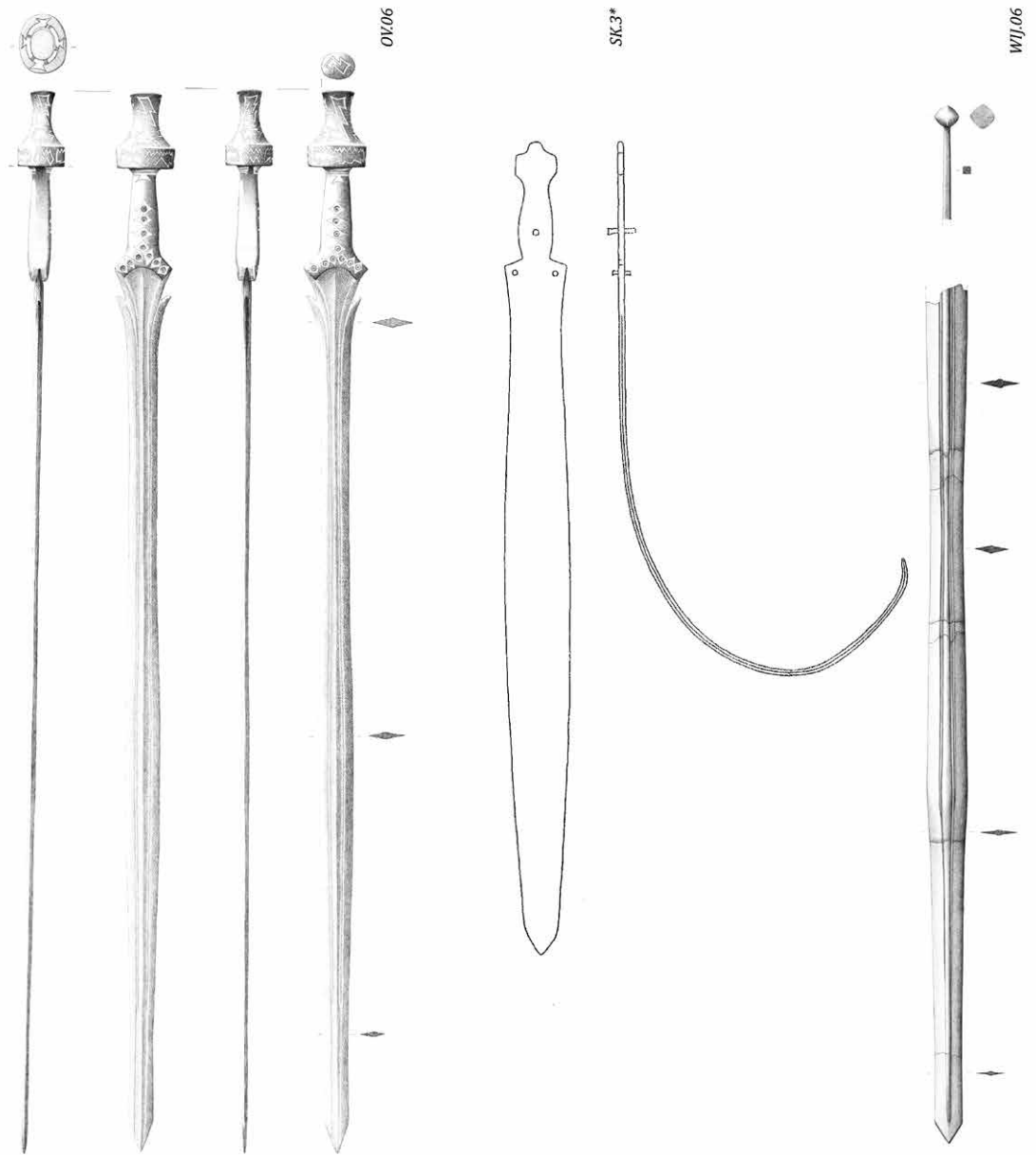


Fig. A2.3 (continued) Weaponry found in the Dutch and Belgian elite burials. Drawings after Dijkman 2000, fig. 3; Kam 1958, fig. 1; Mariën 1958, figs. 3, 6, 10, 11, 15, 1819, 25, 28 and 40; 1975, figs. 3–5; Ubaghs 1890, figs. 31 and 35; Van Impe 1980, pl. XI and XII; Van Wijk et al. 2009, fig. 6.16; Verwers 1972, abb. 31 and 32; 1986, fig. 3; Warmenbol 1978, pl. XII, XIII and XIV; Willems/Groenman-van Waateringen 1988, fig. 2; supplied by G. de Mulder; by B. Dekker; R. Timmermans.

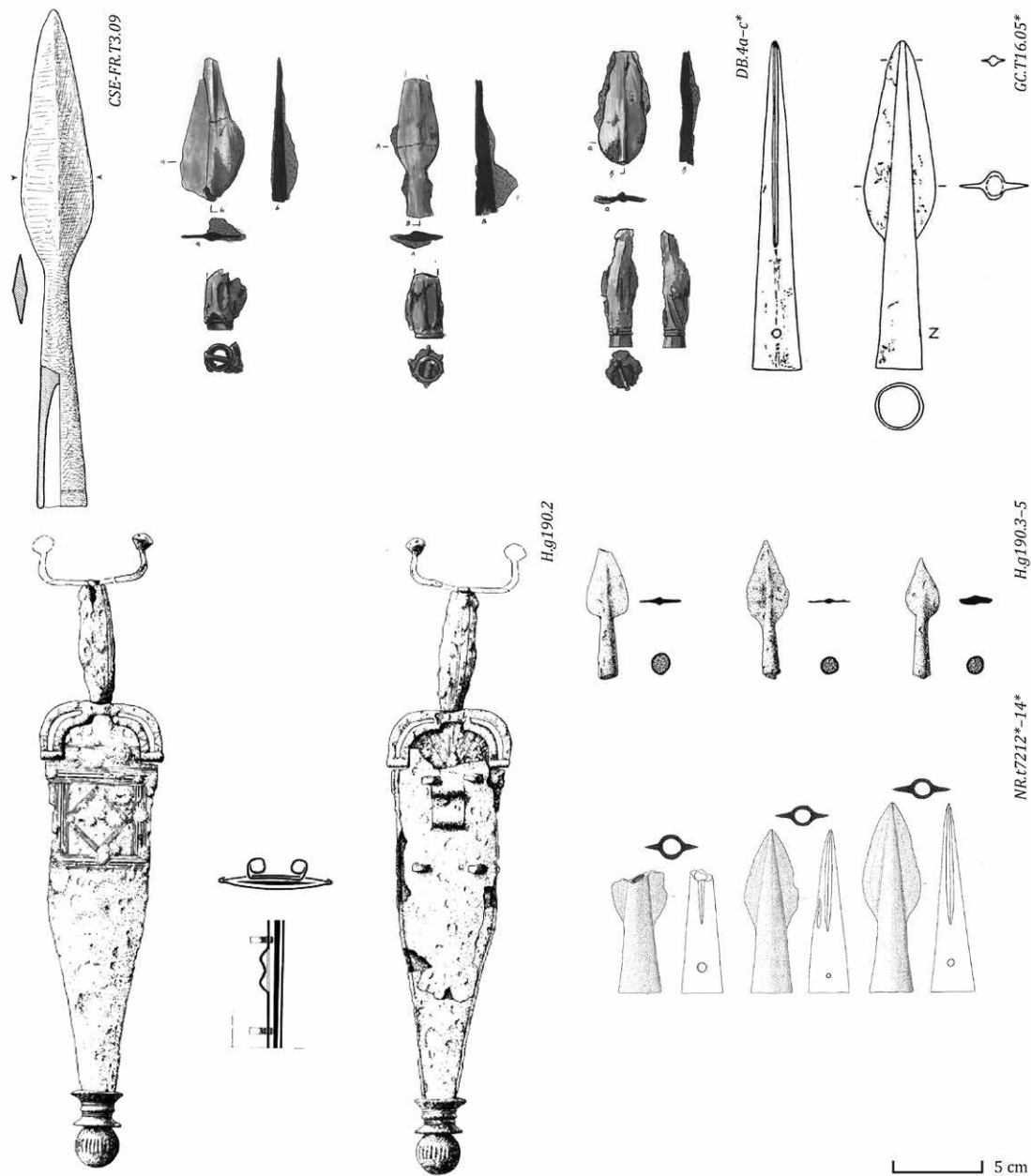


Fig. A2.3 (continued) Weaponry found in the Dutch and Belgian elite burials. Drawings after Dijkman 2000, fig. 3; Kam 1958, fig. 1; Mariën 1958, figs. 3, 6, 10, 11, 15, 1819, 25, 28 and 40; 1975, figs. 3–5; Ubaghs 1890, figs. 31 and 35; Van Impe 1980, pl. XI and XII; Van Wijk et al. 2009, fig. 6.16; Verwers 1972, abb. 31 and 32; 1986, fig. 3; Warmenbol 1978, pl. XII, XIII and XIV; Willems/Groenman-van Waateringen 1988, fig. 2; supplied by G. de Mulder; by B. Dekker; R. Timmermans.

## A2.4 Horse-gear, yoke and wagon components

Object category	Object no.	Description	Signs of		
			Use/ repair	Bending/ breaking	Fire
Horse-gear	CSE-FR.T3.11	Iron horse-bit	+/-	-/-	--
	CSE-FR.T3.12	Iron horse-bit	+/-	-/-	--
	CSE-FR.T4.6	Bronze <i>phalera</i> , 2x	-/-	+/-+	++
	CSE-LQ.TA.7	Bronze cheek-piece from a horse-bit	-/-	-/+	--
	CSE-LQ.TA.8	Bronze cheek-piece from a horse-bit	-/-	-/+	--
	CSE-LQ.TB.2	Bronze attachment	-/-	-/-	-
	CSE-LQ.TB.3	Bronze <i>phalera</i> fragment	-/-	-/+	-
		Bronze studs	-/-	-/+	-
	CSE-LQ.TB.4	Bronze buckle	-/-	-/+	-
		Bronze buckle fragment	-/-	-/+	-
	CSE-LQ.TB.5	Bronze buckle/strap end?	-/-	-/+	-
		Bronze studs, small	-/-	-/-	-
	CSE-LQ.TB.6	Bronze hemispheres, studs, 5x	-/-	-/-	++
	CSE-LQ.TZ.3*	Bronze cheek-piece of a horse-bit	Indet	-/+	Indet
	DB.5*	Iron horse-bit, 2x	-/-	-/-	--
	DB.6*	Bronze discs and iron rings, partially lost. Textile present.	-/-	-/-	--
	DB.7	Bronze disc <i>phalera</i> , 4x and multiple fragments	-/-	-/-	--
	PdD.T4.2	Bronze button (inventoried at MRAH under same number as PdD.T5.1, but according to Mariën (1958, 227–30) they are not from the same barrow)	-/-	-/-	--
	PdD.T4.3*	Bronze button	Indet	Indet	Indet
	LM.T1.4*	Iron horse-bit, about half	---/-	-/+	--
	LM.T1.5*	Bronze <i>phalera</i>	-/-	-/+	++
	LM.T1.6	Bronze studs, 4x	-/-	-/-	++
	M.05	Part of an iron mouthpiece with disc-shaped hook fragment attached.	-/-	-/+	-
	M.06	Iron ring with part of a mouthpiece	-/-	-/-	--
	M.07	Iron disc-shaped hook	-/-	-/-	
	M.08	Iron cheek-piece, bent	-/-	++/-	+
	M.09	Iron cheek-piece, straight	-/-	-/-	--
	M.10	Iron cheek-piece with mouthpiece and disc-shaped hook	-/-	-/-	--
	M.11	Iron cheek-piece, bent	-/-	++/-	+
	OV.09	Iron horse-bit	+/-	-/-	--
	OV.10	Iron horse-bit	+/-	-/-	--
	OV.11	Bronze hemispherical sheet-knobs, 12x	-/-	-/-	--
	OV.12	Bronze tubular cross-shaped object	-/-	-/-	--
	OV.13	Bronze <i>Tutulus</i>	-/-	+/-	--
	OV.14	Bronze harness decoration(?)	-/-	-/-	--
	OV.15	Bronze rings, 3x	-/-	-/-	--
	OV.16	Mass of 10 iron rings with assorted objects	-/-	-/-	--
	OV.17	Iron ring	-/-	-/-	--
	OV.18	Iron ring with textile remains	-/-	-/-	--
	OV.19	Iron ring fragments, 2x	-/-	-/+	--
	OV.20	Iron ring fragments, bronze sheet knob fragment.	-/-	-/+	--
OZ.04–14	Bronze studs and fragments	-/-	-/-	++	
OZ.M7.15	Bronze ring with square cross-section, 2 fragments	-/-	-/-	++	
OZ.M7.16	Bronze ring with square cross-section, fragment	-/-	++/++	++	
OZ.M7.17	Bronze ring fragments with square cross-section, broken, bent and burned	-/-	++/++	++	
OZ.M7.18	Bronze ring with round cross-section, possibly gilt	-/-	-/-	+	
OZ.M7.19	Bronze ring with round cross-section	-/-	-/-	+	

Object category	Object no.	Description	Signs of		
			Use/ repair	Bending/ breaking	Fire
	<i>OZ.M7.20</i>	Bronze hemispherical sheet-knob	--/--	--/--	+
	<i>RK.03</i>	Bronze hemispherical ring-footed rein-knob	+/--	--/--	--
	<i>RK.04</i>	Bronze/iron ring fragment	--/--	--/+	--
	<i>RK.05a</i>	Ring fragments, 2x (corroded together with <i>RK.05b-d</i> )	--/--	--/-	--
	<i>RK.05b</i>	Bronze <i>phalera</i> , fragment (corroded together with <i>RK.06a, c-e</i> )	--/--	--/-	--
	<i>RK.06a</i>	Rings, 5x (corroded together with <i>RK.06b-f</i> )	--/--	--/-	--
	<i>RK.07</i>	Bronze spherical fragment (part of a sheet knob?)	--/--	--/-	-
	<i>WB.t1.3*</i>	Horse-gear ornament	--/--	--/--	Indet
	<i>WB.t2.3*</i>	Horse-gear ornament/scabbard element	--/--	--/--	Indet
	<i>WJ.07ab</i>	Bronze horse bit, 2x	++/+	--/--	--
	<i>WJ.08</i>	Bronze ring-footed rein knobs, 6x	++/+	--/--	+-
	<i>WJ.09*</i>	Bronze rings with a thickening, missing	--/--	--/--	--
<b>Yoke/wagon components</b>	<i>CSE-FR.T4.5*</i>	Iron horse chest ornaments, rings and pendants	--/--	+/-	Indet
	<i>CSE-FR.T4.7</i>	Bronze yoke rosette, 2x	--/--	+/-	++
	<i>CSE-FR.T4.8</i>	Bronze yoke rosette fragment	--/--	+/+	++
	<i>CSE-LQ.TA.6</i>	Bronze <i>Jochschnalle</i>	--/--	--/-	--
	<i>OV.21</i>	Bronze yoke rosettes, 2x	--/--	--/--	--
	<i>OV.22</i>	Iron toggle	--/--	--/--	--
	<i>OV.23</i>	Iron toggle	--/--	--/--	--
	<i>OZ.M7.21</i>	Wooden knobs with bronze studs	--/--	--/--	++
	<i>RK.05cd</i>	Iron linchpin (2x), incomplete; corroded together with <i>RK.05ab,e</i>	--/--	+/+	+
	<i>RK.06b</i>	Iron linchpin (incomplete), five rings, corroded together with <i>RK.06a, c-f</i>	--/--	+/+	+
	<i>RK.06c</i>	Iron/bronze bands (corroded together with <i>RK.06ab,-d-f</i> )	--/--	+/+	+
	<i>RK.08</i>	Superimposed iron/bronze bands cemented together (larger), possible from the nave	--/--	+/+	+
	<i>RK.09</i>	Superimposed iron/bronze bands cemented together (smaller), possibly from the nave	--/--	+/+	+
	<i>WJ.10</i>	Bronze sheet yoke band fragments	--/--	+/+	--
	<i>WJ.11ab</i>	Hollow cast bronze socket, 2x	--/--	--/+	++
	<i>WJ.12ab</i>	Square cast bronze base, 2x	--/--	+/+	++
	<i>WJ.13</i>	Flat bronze rings with a pair of nails, ca. 11x	--/--	--/--	++
	<i>WJ.14</i>	Bronze nails with domed heads, 3x	--/--	--/--	--
	<i>WJ.15</i>	Fragments of cast bronze plaques composed of hollow hemispherical cups linked together	++/--	++/+	+
	<i>WJ.16</i>	Bronze band decoration	--/--	++/-	+
	<i>WJ.17</i>	Bronze pendants, 2x	--/--	+/++	++
	<i>WJ.18a-d</i>	Bronze linchpins, 4x	++/--	--/-	-
	<i>WJ.19a-d</i>	Bronze axle-caps, 4x	++/--	--/-	-

Tab. A2.4 Horse-gear and yoke and wagon components found in the Dutch and Belgian elite burials burials (see also Fig. A2.4).

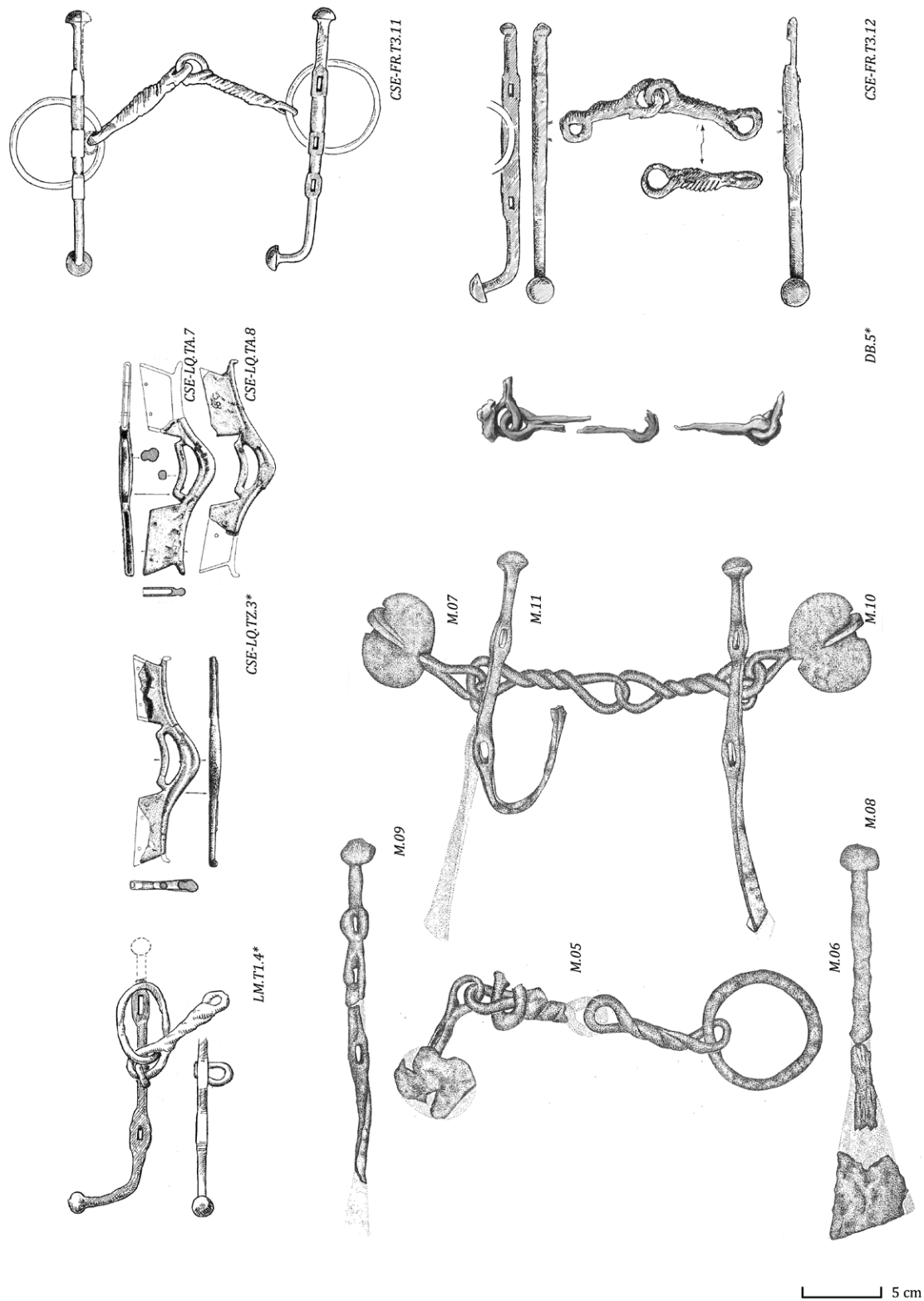
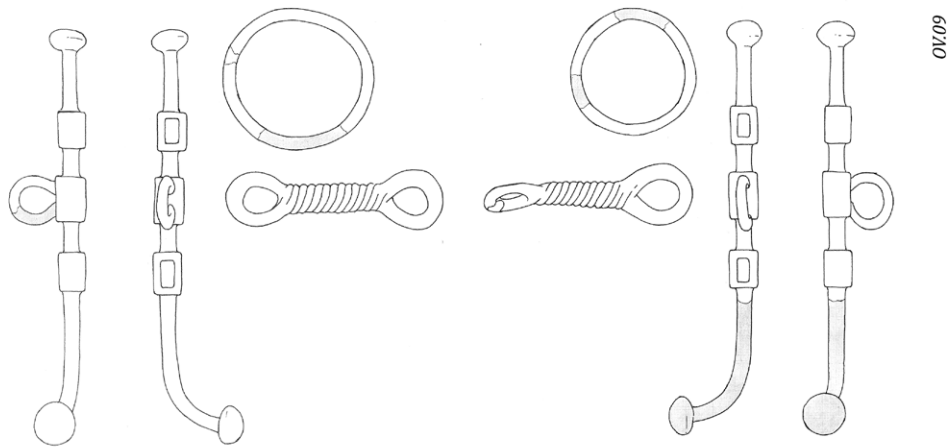
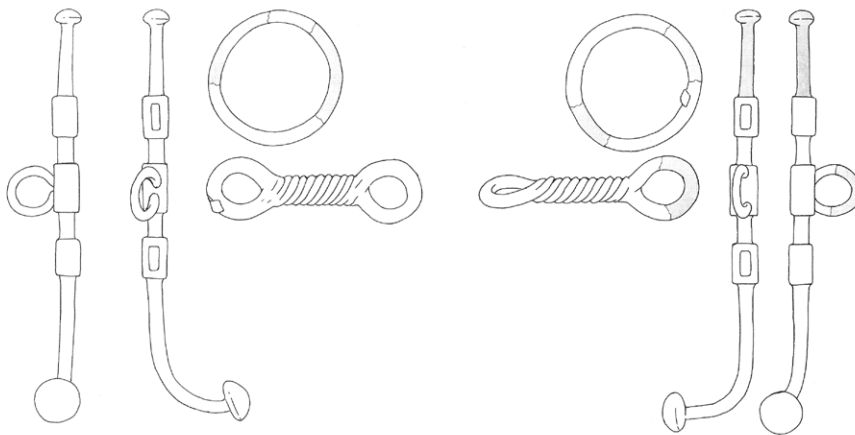


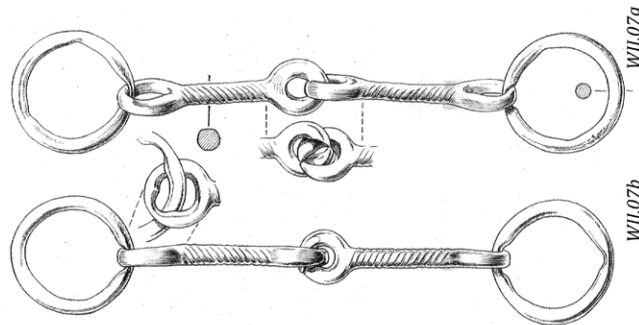
Fig. A2.4 Horse-gear, yoke and wagon components found in the Dutch and Belgian elite burials. Drawings after Mariën 1958, figs. 3, 4, 12, 18, 20, 22 40 and 44; Pare 1992, pl. 1–4; Ubaghs 1890, figs. 19, 24 and 25; Van Heeringen 1998, figs. 11 and 13; Verwers 1986, fig. 4; by B. Dekker; G.J. de Vries; J. Kempkens; E. van Driel; photographs by J. van Donkersgoed.



60/10



0V10



WJ1.07a

WJ1.07b

Fig. A2.4 (continued) Horse-gear, yoke and wagon components found in the Dutch and Belgian elite burials. Drawings after Mariën 1958, figs. 3, 4, 12, 18, 20, 22 40 and 44; Pare 1992, pl. 1–4; Ubaghs 1890, figs. 19, 24 and 25; Van Heeringen 1998, figs. 11 and 13; Verwers 1986, fig. 4; by B. Dekker; G.J. de Vries; J. Kempkens; E. van Driel; photographs by J. van Donkersgoed.



Fig. A2.4 (continued) Horse-gear, yoke and wagon components found in the Dutch and Belgian elite burials. Drawings after Mariën 1958, figs. 3, 4, 12, 18, 20, 22 40 and 44; Pare 1992, pl. 1-4; Ubaghs 1890, figs. 19, 24 and 25; Van Heeringen 1998, figs. 11 and 13; Verwers 1986, fig. 4; by B. Dekker; G.J. de Vries; J. Kempkens; E. van Driel; photographs by J. van Donkersgoed.

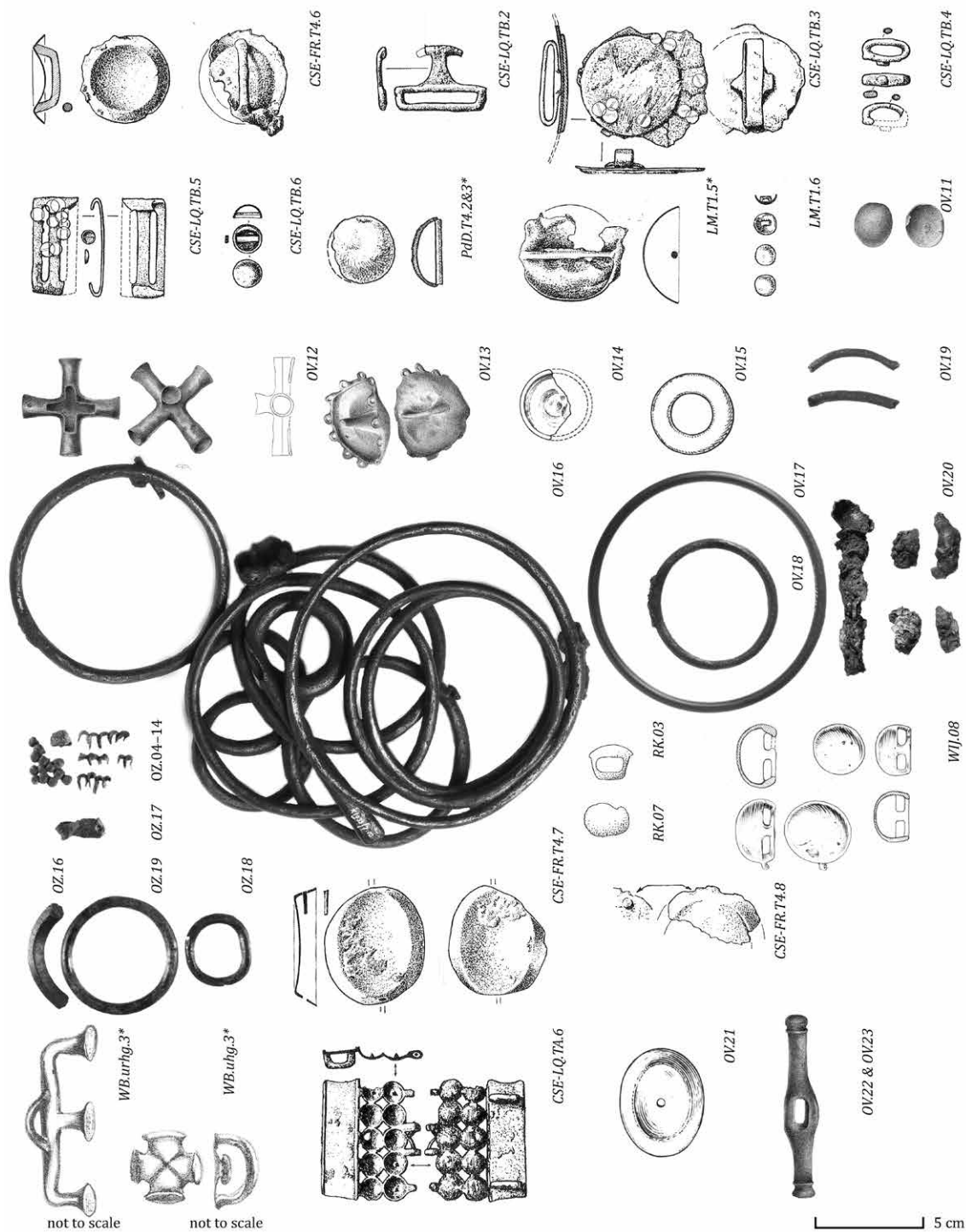


Fig. A2.4 (continued) Horse-gear, yoke and wagon components found in the Dutch and Belgian elite burials. Drawings after Mariën 1958, figs. 3, 4, 12, 18, 20, 22 40 and 44; Pare 1992, pl. 1–4; Ubaghs 1890, figs. 19, 24 and 25; Van Heeringen 1998, figs. 11 and 13; Verwers 1986, fig. 4; by B. Dekker; G.J. de Vries; J. Kempkens; E. van Driel; photographs by J. van Donkersgoed.

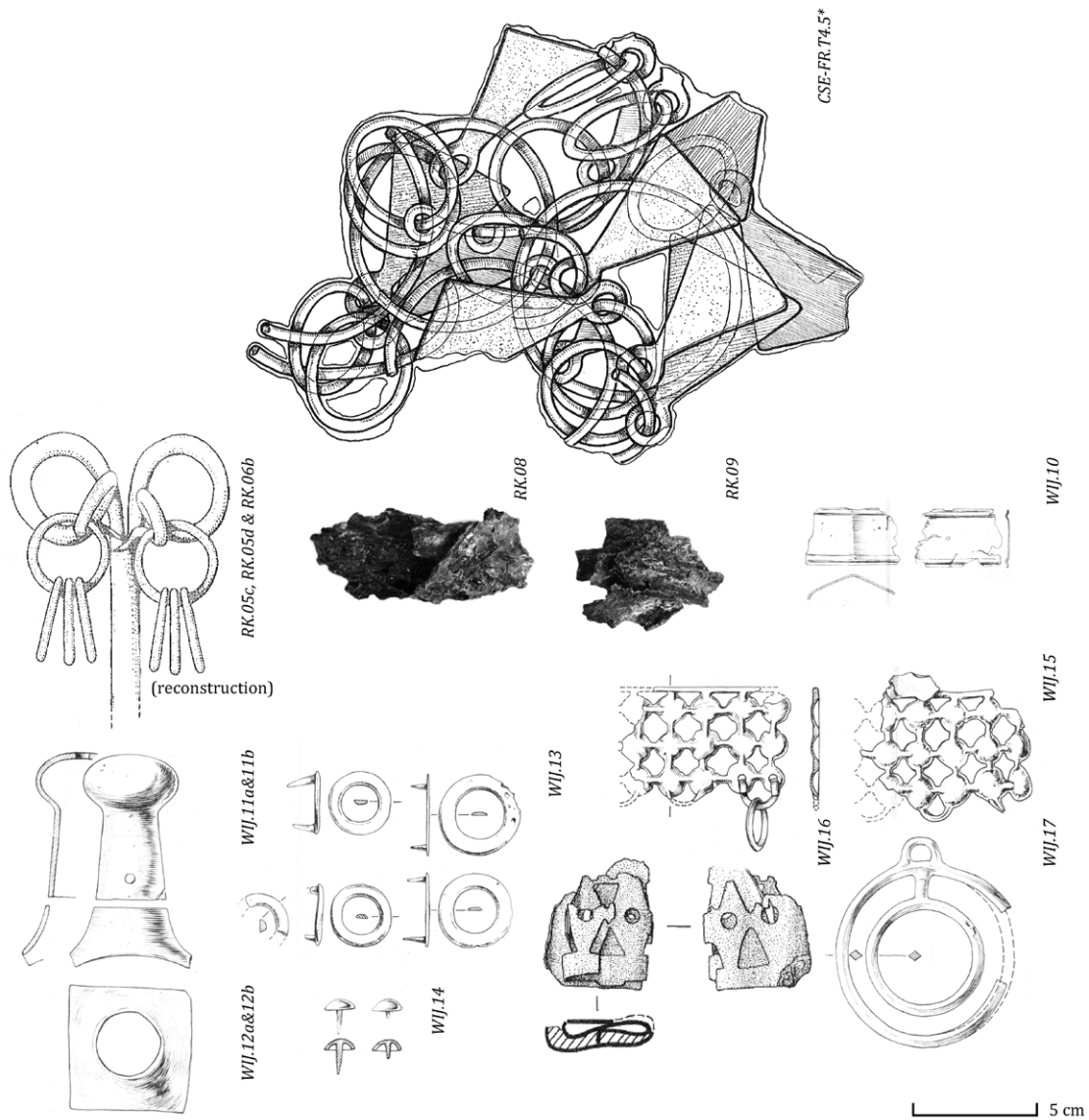


Fig. A2.4 (continued) Horse-gear, yoke and wagon components found in the Dutch and Belgian elite burials. Drawings after Mariën 1958, figs. 3, 4, 12, 18, 20, 22, 40 and 44; Pare 1992, pl. 1–4; Ubaghs 1890, figs. 19, 24 and 25; Van Heeringen 1998, figs. 11 and 13; Verwers 1986, fig. 4; by B. Dekker; G.J. de Vries; J. Kempkens; E. van Driel; photographs by J. van Donkersgoed.

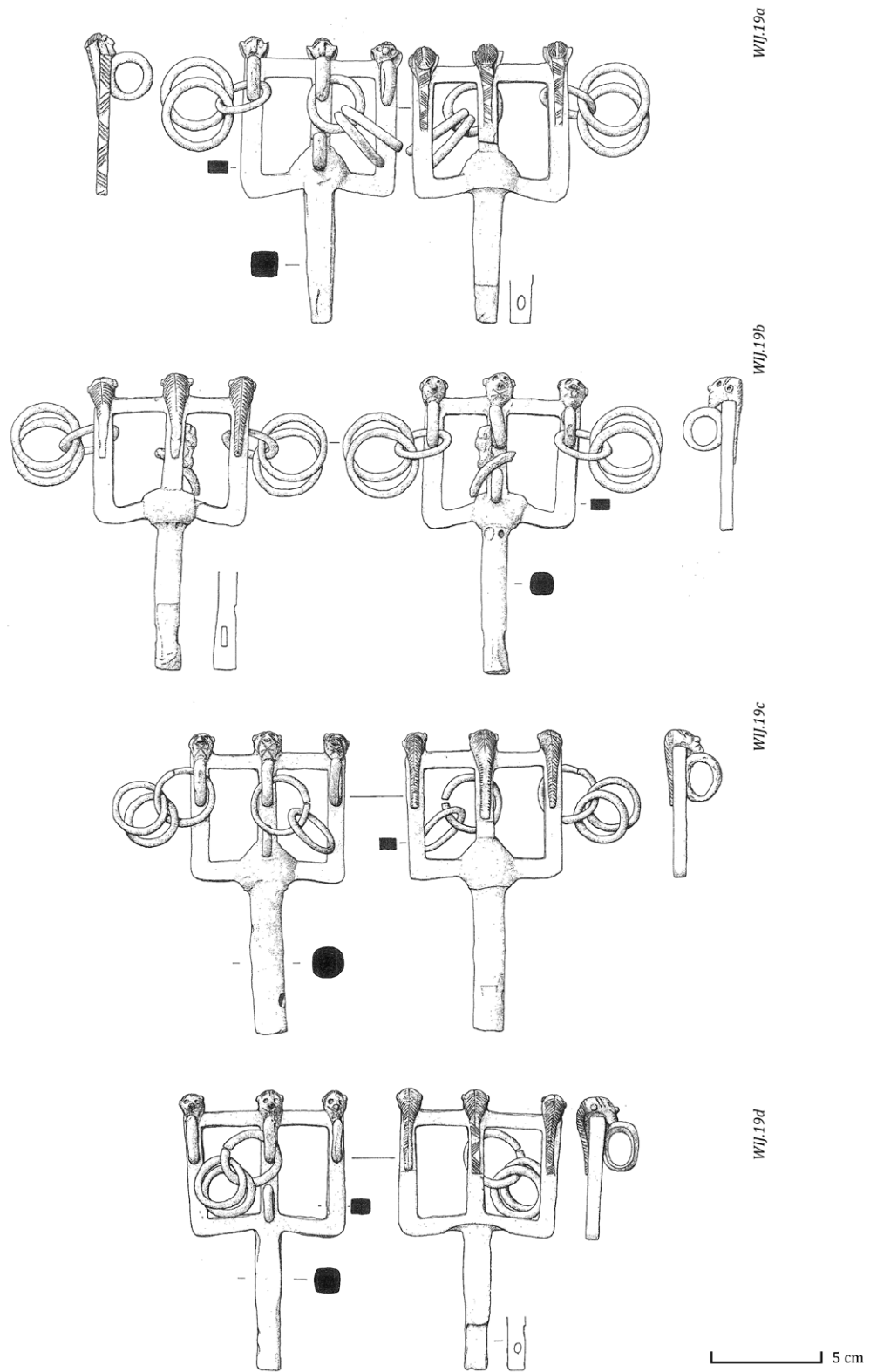


Fig. A2.4 (continued) Horse-gear, yoke and wagon components found in the Dutch and Belgian elite burials. Drawings after Mariën 1958, figs. 3, 4, 12, 18, 20, 22 40 and 44; Pare 1992, pl. 1–4; Ubaghs 1890, figs. 19, 24 and 25; Van Heeringen 1998, figs. 11 and 13; Verwers 1986, fig. 4; by B. Dekker; G.J. de Vries; J. Kempkens; E. van Driel; photographs by J. van Donkersgoed.

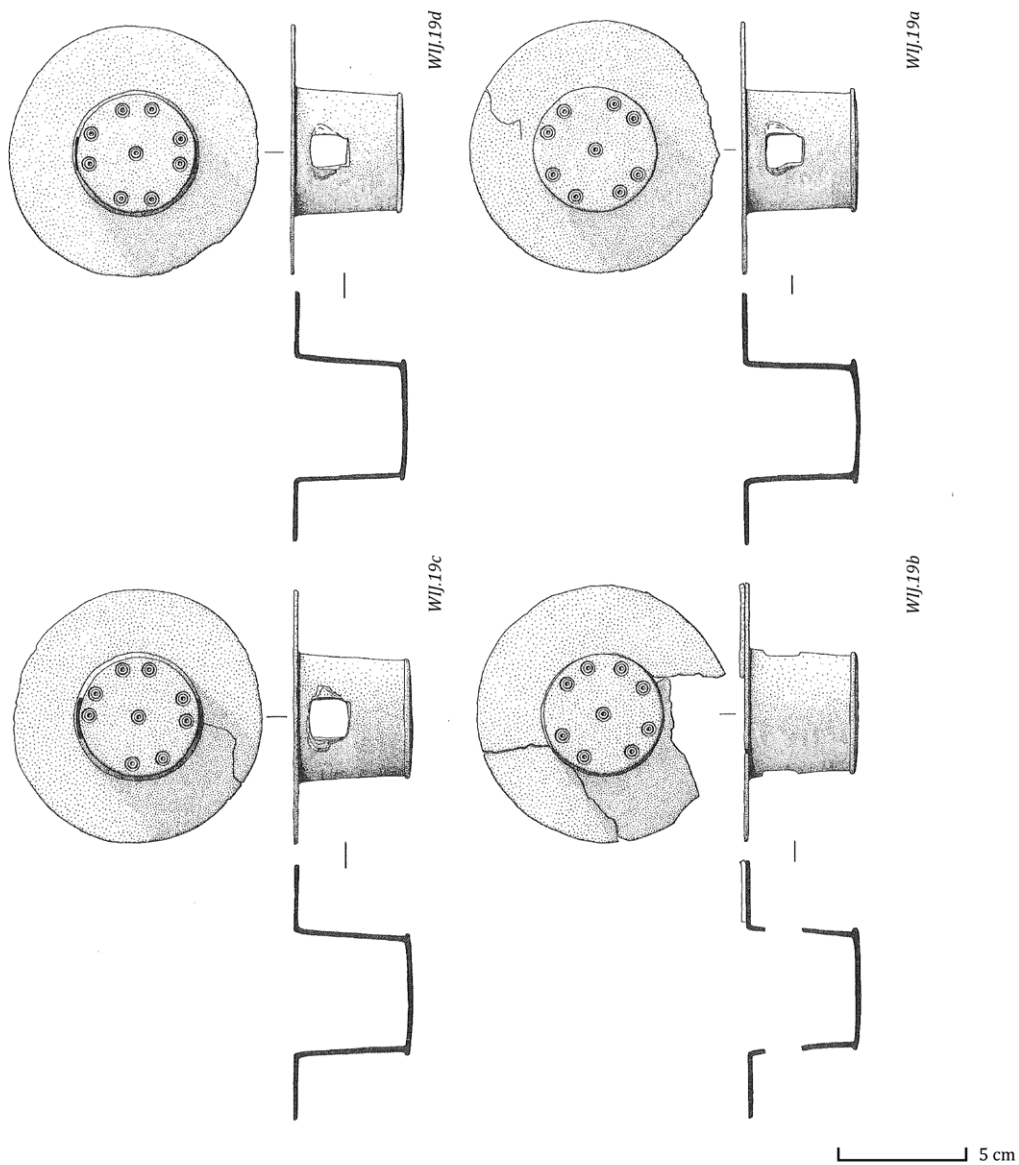


Fig. A2.4 (continued) Horse-gear, yoke and wagon components found in the Dutch and Belgian elite burials. Drawings after Mariën 1958, figs. 3, 4, 12, 18, 20, 22 40 and 44; Pare 1992, pl. 1–4; Ubaghs 1890, figs. 19, 24 and 25; Van Heeringen 1998, figs. 11 and 13; Verwers 1986, fig. 4; by B. Dekker; G.J. de Vries; J. Kempkens; E. van Driel; photographs by J. van Donkersgoed.



## A2.5 Tools

Object category	Object no.	Description	Signs of		
			Use/ repair	Bending/ breaking	Fire
<b>Knives</b>	<i>CSE-FR.T2.3</i>	Iron knife	-/--	-/--	--
	<i>CSE-FR.T2.4</i>	Iron knife	-/--	-/--	--
	<i>CSE-FR.T3.13*</i>	Iron knife	-/--	-/+	+
	<i>OV.24</i>	Iron knife with leather and textile remains adhered.	-/--	+/--	--
	<i>RK.06d</i>	Iron knife fragment (corroded together with <i>RK.06a-c, ef</i> )	-/--	-/+	--
	<i>WIJ.21</i>	Iron knife	-/--	++/--	+
<b>Axes</b>	<i>CSE-FR.T3.14</i>	Bronze axe	-/--	-/--	--
	<i>OV.27</i>	Iron socketed axe	-/--	-/--	--
	<i>RK.10</i>	Socketed bronze axe (top half)	-/--	-/-	--
	<i>WIJ.20</i>	Bronze socketed axe	-/--	-/-	++
<b>Stones</b>	<i>CSE-FR.T3.15</i>	Flint pounding(?) stone	++/--	-/+	+
	<i>CSE-LQ.UC.41</i>	Grinding stone	++/--	-/--	--
	<i>GC.T1.07*</i>	Grinding stone, sandstone	Indet	Indet	Indet
	<i>LK.T20.6*</i>	Grinding stone	-/--	-/+	-/--
	<i>OV.26</i>	(Whet)stone(?)	++/--	-/--	--
<b>Spindle whorl</b>	<i>CSE-LQ.tpl.4*</i>	Spindle whorl	Indet	Indet	Indet
	<i>LeM.g1.05</i>	Ceramic spindle whorl, decorated, found in <i>LeM.g1.02</i>	-/--	-/--	--
	<i>LeM.g1.06</i>	Ceramic spindle whorl, found next to <i>LeM.g1.02</i>	-/--	-/--	--

Tab. A2.5 Tools found in the Dutch and Belgian elite burials (see also Fig. A2.5).

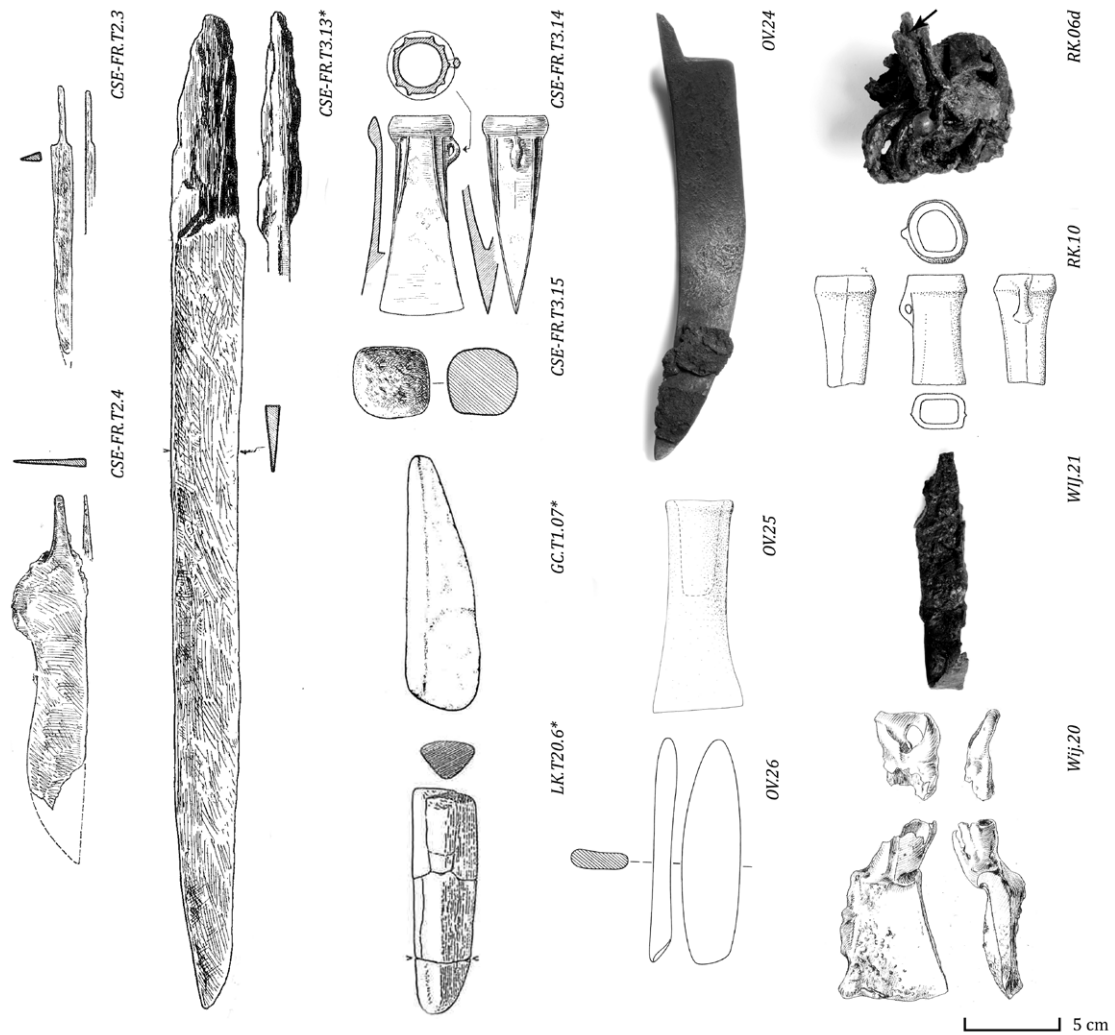


Fig. A2.5 Tools found in the Dutch and Belgian elite burials. Figure after De Laet/Mariën 1950, fig. 6; Mariën 1958, figs. 16, 17 and 19; Van Heeringen 1998, fig. 10; Warmenbol 1978, pl. VI; drawings by G.J. de Vries; J. Ypey; photographs by P.J. Bomhof; J. van Donkersgoed.

## A2.6 Personal appearance: grooming tools and ornaments

Object category	Object no.	Description	Signs of		
			Use/ repair	Bending/ breaking	Fire
<b>Razors</b>	<i>BW.T5.4</i>	Bronze razor (type Gruppe C/Feldkirch/Bernissart)	+/+	-/-	--
	<i>CSE-FR.T5.7*</i>	Bronze bifid razor (Gruppe B)	-/-	-/+	++
	<i>H.T9.3*</i>	Bronze razor	Indet	Indet	Indet
	<i>H.T16.4*</i>	Bronze razor	Indet	Indet	Indet
	<i>PdD.T3.2*</i>	Bronze crescent-shaped razor	-/-	-/-	++
	<i>LM.T2.2</i>	Iron razor (type Gruppe D)	-/-	-/-	-
	<i>LK.T20.3*</i>	Iron razor	-/-	-/-	-/-
	<i>LSP-FAM.TI.04*</i>	Bronze razor, fragment (Gruppe B, type Gramat?)	+/-	+/+	++
	<i>LSP-FAM.TIII.4*</i>	Bronze razor, found in <i>LSP-FAM.TIII.2*</i>	-/-	-/+	--
	<i>OV.25</i>	Iron razor(?)	-/-	-/-	--
	<i>OV.28</i>	Iron razor	-/-	-/-	--
<b>Toiletries</b>	<i>GC.TP/Q.02*</i>	Iron tweezers and iron rod	Indet	Indet	Indet
	<i>H.T2.3*</i>	Iron ring and toiletries	-/-	-/-	--
	<i>H.T4.3*</i>	Iron fragments from a toilet set	-/-	-/-	--
	<i>H.T9.4*</i>	Toilet set with tweezers	Indet	Indet	Indet
	<i>H.T10.4*</i>	Toilet set with tweezers	Indet	Indet	Indet
	<i>PdD.T3.3*</i>	Iron object, from a toilet set?	-/-	+/-	+
	<i>LM.T2.3</i>	Iron tweezers with iron instrument	-/-	-/-	--
	<i>LK.T20.4*</i>	Iron tweezers	-/-	-/-	-/-
	<i>LK.T20.5*</i>	Iron nail cutter	-/-	-/-	-/-
	<i>RK.11</i>	Bronze tweezers	-/-	+/+	+
	<i>US.11</i>	Bronze tweezers, found with <i>US.12-13</i>	-/-	-/-	--
	<i>US.12</i>	Iron nail cutter, found with <i>US.11</i> and <i>US.13</i>	-/-	-/-	--
	<i>US.13</i>	Iron ring with leather knotted around it, found with <i>US.11-12</i>	-/-	-/-	--
<b>Ornaments</b>	<i>BW.T5.5*</i>	Bronze, and bronze and iron fibula fragments	Indet	Indet	Indet
	<i>CSE-FR.T4.9*</i>	Bronze bracelet	Indet	Indet	++
	<i>CSE-LQ.UC.34</i>	Fragment of a bronze discoid pin head	-/-	-/+	--
	<i>CSE-LQ.tpl.4*</i>	Bronze spiral tubes	Indet	Indet	Indet
	<i>CSE-LQ.tpl.3*</i>	Glass bead	Indet	Indet	Indet
	<i>Hp.g190.6</i>	Iron pin	-	-	-
	<i>HMC.t1.4*</i>	"band"??	Indet	Indet	Indet
	<i>H.T10.5*</i>	Iron pin	Indet	-/+	Indet
	<i>LeM.g1.07</i>	Glass bead, 72x	-/-	-	++
	<i>LeM.g1.08</i>	Glass Ringaugenperlen, 4x	-/-	-/-	++
	<i>LeM.g1.09</i>	Bronze clothing or hair pin, in fragments	-/-	-/+	++
	<i>LeM.g1.10</i>	Bronze hair- or earring fragments	-/-	+/+	++
	<i>LeM.g1.11</i>	Bronze spiral beads	-/-	+/+	+
	<i>LeM.g1.12</i>	Bronze 'button'	-/-	-/-	+
	<i>LeM.g1.13</i>	Bronze studs, > 50	-/-	-/-	+
	<i>OV.29</i>	Bronze & iron <i>Bombenkopf</i> pin	-/-	-/-	--
	<i>OV.30</i>	Bronze & iron <i>Bombenkopf</i> pin	-/-	-/-	--
	<i>OV.31</i>	Bronze & iron <i>Bombenkopf</i> pin	-/-	-/-	--
	<i>OZ.M3.3</i>	Iron pin, fragment	-/-	-/+	--

Object category	Object no.	Description	Signs of		
			Use/ repair	Bending/ breaking	Fire
	US.06	Bronze anklet, found by right ankle with US.02, US.20-22	--/--	--/--	--
	US.07	Bronze bracelet, found with US.03, US.23-24	--/--	--/--	--
	US.08	Bronze bracelet set, found with US.25-27.	--/--	--/--	--
	US.09	Bronze anklet, found around the left ankle	--/--	--/--	--
	US.10	Hairring	--/--	--/--	--
	US.14	Bronze pin, deliberately broken, found with US.29	--/--	--/++	--
	US.16	Bronze ring, found with US.17 and US.30	--/--	--/--	--
	US.17	Iron pin, found with US.16 and US.30	--/--	--/--	--
	US.18	Hairrings	--/--	--/--	--
	WB.t3.3*	Bronze bracelet	--/--	--/--	Indet
	WIJ.22	Iron hollow-headed pin with linked rings with square cross-section affixed	--/--	--/+	+
	WIJ.23	Fragments of decorated bronze sheet, probably from a belt plate	--/--	++/++	++

Tab. A2.6 Items related to personal appearance found in the Dutch and Belgian elite burials (see also Fig. A2.6).

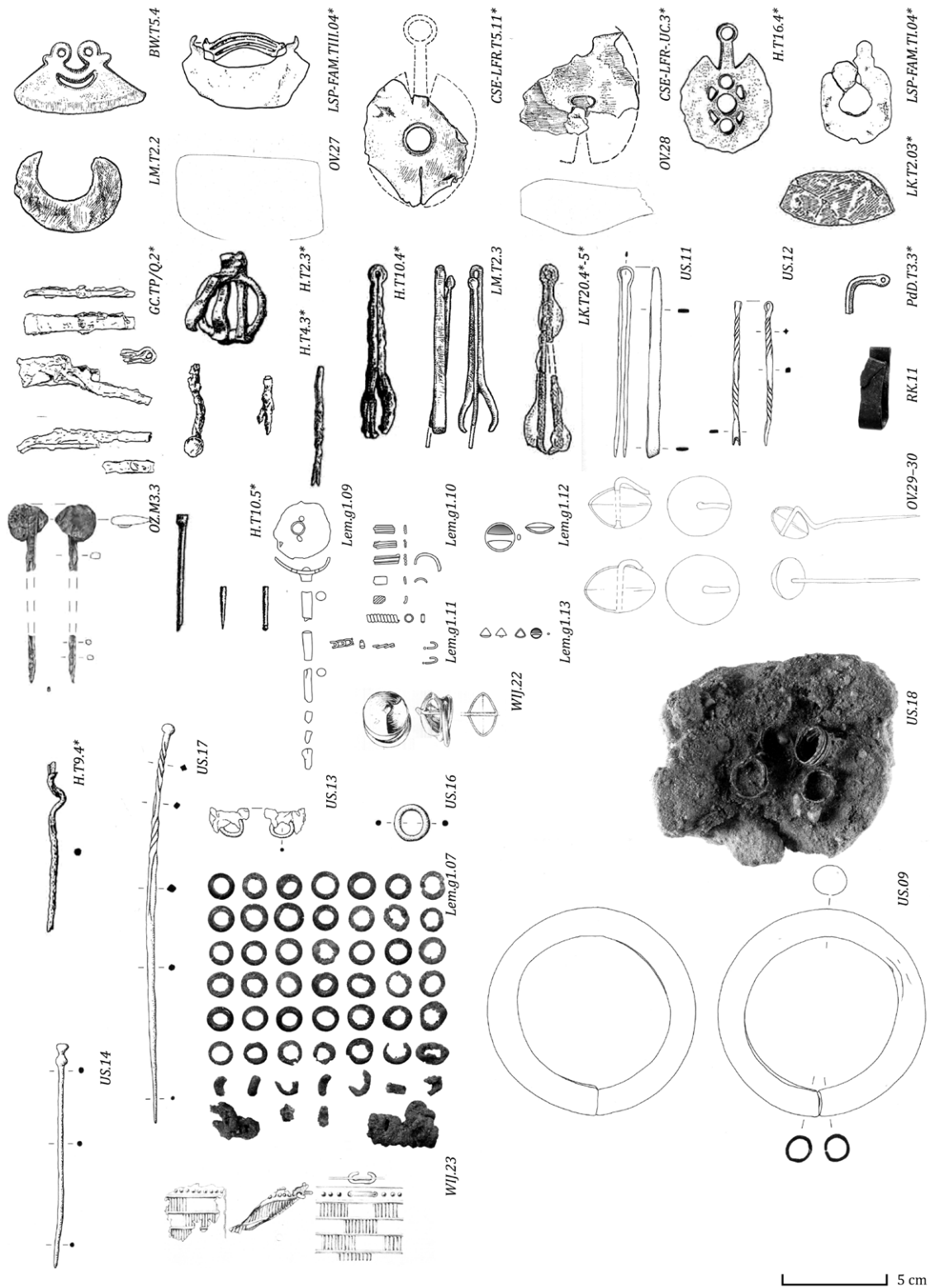


Fig. A2.6 Metal items related to personal appearance found in the Dutch and Belgian elite burials. Drawings by G.J. de Vries; J. Kempkens; R. Timmermans; J. Ypey; after De Laet/Mariën 1950, fig. 6; Mariën 1958, 24, 25, 38, 43 and 44; 1999, fig. 5–7; Ubaghs 1890, fig. 29; Van Wijk et al. 2009, fig. 6.16; Verwers 1972, abb. 32; Warmenbol 1978, pl. I and III; supplied by B. Fermin; photographs by Restauratieatelier Restaura, Haalen; J. van Donkersgoed.

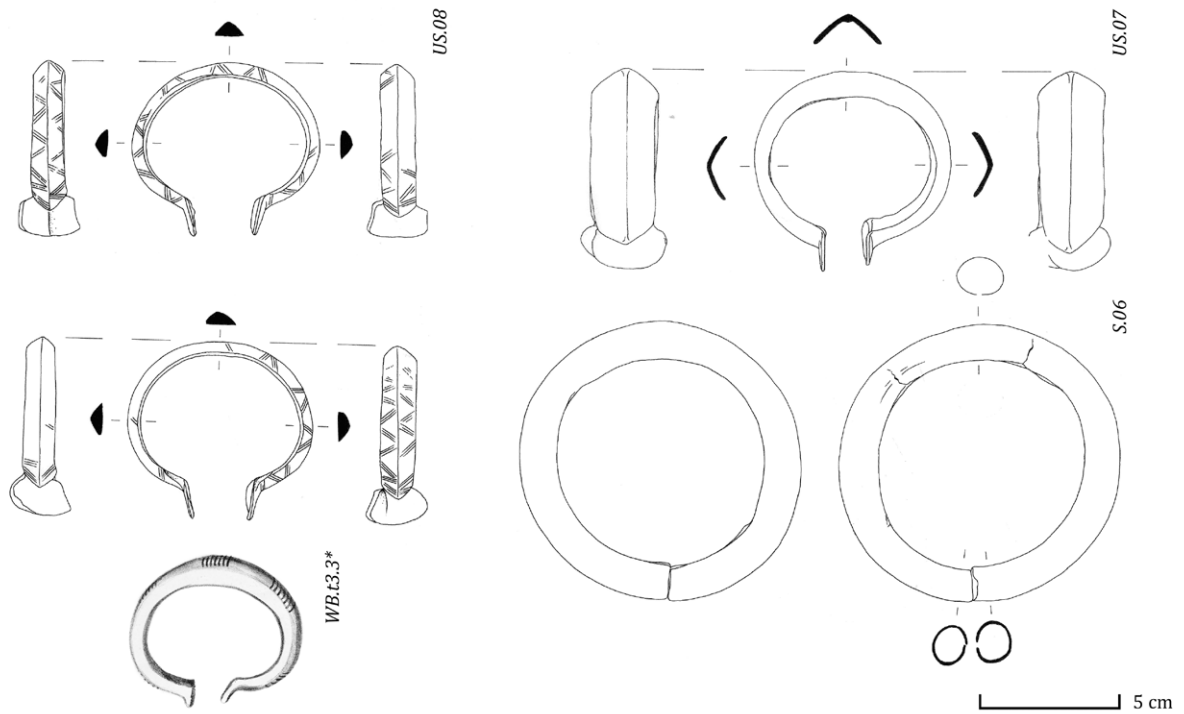


Fig. A2.6 (continued) Metal items related to personal appearance found in the Dutch and Belgian elite burials. Drawings by G.J. de Vries; J. Kempkens; R. Timmermans; J. Ypey; after De Laet/Mariën 1950, fig. 6; Mariën 1958, 24, 25, 38, 43 and 44; 1999, fig. 5–7; Ubaghs 1890, fig. 29; Van Wijk et al. 2009, fig. 6.16; Verwers 1972, abb. 32; Warmenbol 1978, pl. I and III; supplied by B. Fermin; photographs by Restauratieatelier Restaura, Haalen; J. van Donkersgoed.

## A2.7 Textile in burials

Find no.	Textile material; weave type;	Micro-stratigraphy	Interpretation	Color	Identification of warp and weft	Technical details		Surface, seams, hems, patterns
						Thread system 1	Thread system 2	
CSE-FR74.10*	-	Fragment of iron with cloth imprint	-	-	Indet	Indet	-	-
CSE-LO7A.5	-	Woven pattern to corrosion. If textile then it is located direction on the sword blade	If textile, then the sword may have been wrapped	-	-/-	++	-	-
D8.6*	-	Textile present direction on Bronze discs and iron rings	-	-	-/-	-/-	-	-
OV/06; OV/16; OV/42	Textile A; wool with kemp; coarser tabby	Located directly on sword grip (OV/06); directly on iron ring (OV/16); as 'loose' find from situla	Textile A was used to wrap up the rings, and then was transferred to the sword handle as it lay against it. Appears to have been used to wrap the sword	Rust-red, material, no dyestuffs could be identified.	No selvedge survived	0.5 mm z-yarn; 5-6 threads per cm	0.4-0.5 mm s-yarn; ca. 6 threads per cm	Open weave, surface worn out, low cover factor
OV/06; OV/42	Textile B; medium fine tabby	Located directly on the sword blade (OV/06), covered by the fine diamond twill Textile C; as 'loose' find from situla		Rust-red and blackish	No selvedge survived	0.4 mm z-yarn; ca. 15 threads per cm	0.4 mm z-yarn; 14-15 threads per cm	
OV/06; OV/39-42	Textile C; wool; fine diamond twill with point repeat in one direction, displacement in the other	More than six layers covering the sword blade (OV/06) on different parts on the outer and inner side, going over one edge; textile on the inner side of the sword very destroyed, but might belong to this fabric. Between sword blade and Textile C sometimes Textile B can be seen, with sometimes Textile D on top of C. There are numerous 'loose' fragments, many folded to several layers, sometimes one layer of textile D folded in	This textile can be identified as a grave good in its own right. It was carefully folded into multiple layers and around something made of Textile D. Whatever the Textile C was from, one fragment shows stitches.	Rust-red, black to reddish-brown	No selvedge survived	0.2 mm s-yarn; ca. 20-24 (20-22) threads per cm	0.2 mm z-yarn; ca. 20-24 (24-26) threads per cm	OV/39: very regular stitches of overcast-stitch(?); sewing thread 0.3 mm s-z-plied yarn
OV/06; OV/42	Textile D; wool; finer tabby	This tabby is partly visible as top layer on Textile C (which is on Textile B; which is on the sword (OV/06)), and as 'loose' fragments there are 2 lumps of multi-layered textile C with one layer textile D folded in.	This textile was folded into the Textile C textile, and can therefore also be identified as a grave good in its own right.	Rust-red to dark brownish	No selvedge survived	0.3-0.4 mm s-yarn; 16 threads per cm	0.3-0.4 mm z-yarn; 16 threads per cm	Open weave
OV/16; OV/42	Textile E; Bast fibre?; fine diamond twill with point repeat	Located directly on iron ring (OV/16); as 'loose' find from situla	Multi-layered, at least 6 layers; appears to have been used to wrap the iron rings	Rust-red and blackish,	No selvedge survived	0.3 mm s-yarn; ca. 20 threads per cm	0.3-0.4 mm z-yarn; ca. 10 threads per cm	
OV/24	Textile F; Coarse tabby	The tabby is directly attached to the knife blade (OV/24), it is partly covered by leather	Lining of the leather knife sheath or a wrapping/covering of the knife blade	Rust-red	No selvedge survived	0.6 mm s-yarn; 12 threads per cm	0.6 mm z-yarn; 12 threads per cm	Very dense, slightly ribbed appearance due to different thread counts in warp and weft
OV/42	Textile G; wool; coarse twill	Loose find from bucket	Remains unclear, the weave was found only in the box, without a specific micro-stratigraphy or other context with a metal find	Rust-red and blackish	No selvedge survived	0.4 mm z-yarn; 5-7 threads per cm	0.4-0.5 mm s-yarn; ca. 6 threads per cm	Threads low twist; on some fragments the surface is heavily worn; use-wear or caused by degradation process?
OV/42	Textile H; wool?; repp	Loose find from bucket	This may be a belt of some kind that was used to wrap up the Textile C and D grave goods, but this is speculation.	Rust-red and blackish	No selvedge, but due to weave structure (repp) it seems feasible to identify the plied yarn as warp.	Warp 0.8 mm z-plied yarn; threads per cm not countable	Weft 0.3-0.4 mm z-yarn; threads per cm not countable	
RK.02	-	Found on inside rim bronze bucket	May have been used to wrap grave goods	-	Indet	Indet	Indet	-

Find no.	Textile; material; weave type	Micro-stratigraphy	Interpretation	Color	Identification of warp and weft	Technical details	Surface, seams, hems, patterns
US.23; US.25; US.28	Textile A: Sheep wool with some kemp; coarse twill 2/2 twill	Located directly on bracelet US.07; covered by fragments of Textile B; Located directly on bracelet US.08; sometimes in several layers, covered by fragments of Textile B, which was covered by hide fragments (US.26); Located directly on anklet US.09	The colour checked twill with point repeat (Textile A) covered the bracelets and anklets in multiple layers – maybe it belonged to a long-sleeved garment that reached to the ankles.	More or less brownish, in oblique light some colours visible (brighter, reddish) and darker. In microscope bluish threads visible. Dyestuff analysis carried out by M. van Bommel.	No selvedge survived	<b>Thread system 1</b> 0.5-0.7 mm z/yarn; 9 threads per cm <b>Thread system 2</b> 0.6-0.8 mm z/yarn; 11 threads per cm	Surface of some fragments rubbed off and worn out; looks felted inside and outside; maybe from degradation process or use-wear. Surface of other fragments are very well preserved, under oblique light even the pattern is visible. Different colours in warp and weft visible. Pattern countable: from left to right: 6 dark threads, 8 light threads, 8 dark, 2 light; from top to bottom: 4 dark threads, 8 light, 8 dark. Maybe it was a regular checked pattern of alternating 8 dark and 8 light threads in warp and weft. After the dyestuff analysis red and blue dyestuffs could be detected. It was a pattern in bright red and blue block checks.
US.23; US.25;	Textile B; sheep wool; finer twill (2/2)	Located on Textile A (US.23) on bronze bracelet (US.07); located on textile A (US.25) on bronze bracelet (US.08); covered by hide fragments (US.26);	This twill may be a shroud	Brownish	No selvedge survived	0.3-0.4 mm zS-plied yarn; 16-18 threads per cm 0.3-0.4 mm zS-plied yarn; ca. 16 threads per cm	-

Tab. A2.7 Summary of textiles and textile imprints found in the Loto Countries. Analyses on Oss-Vorstengraf and Ulden-Slabroek by K. Grömer, I. Joosten and M. Bommel (see also App. CA1 and Fig. A2.7).

